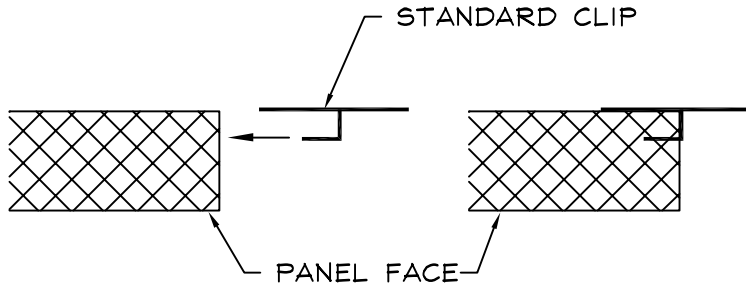


1

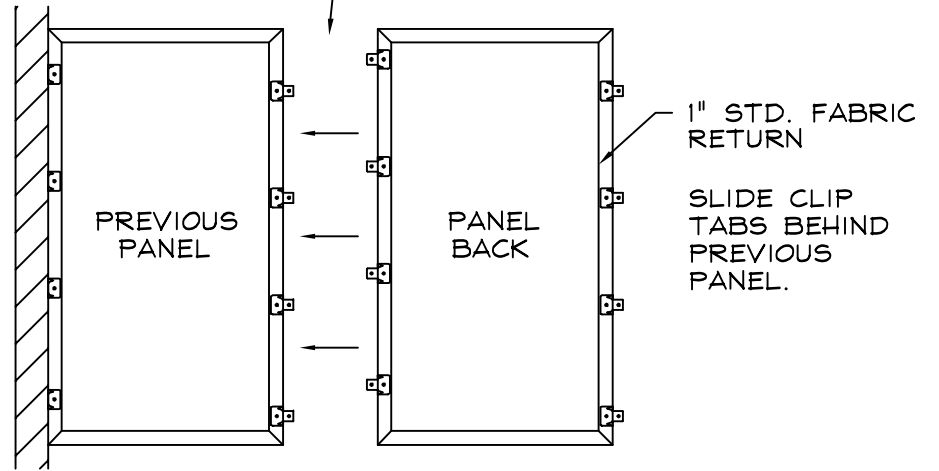
DRIVE STANDARD CLIPS INTO BOTH EDGES OF PANEL AS SHOWN (SPACED EVENLY 12" TO 24").

APPLY CONSTRUCTION ADHESIVE TO FABRIC RETURN ON PANEL BACK

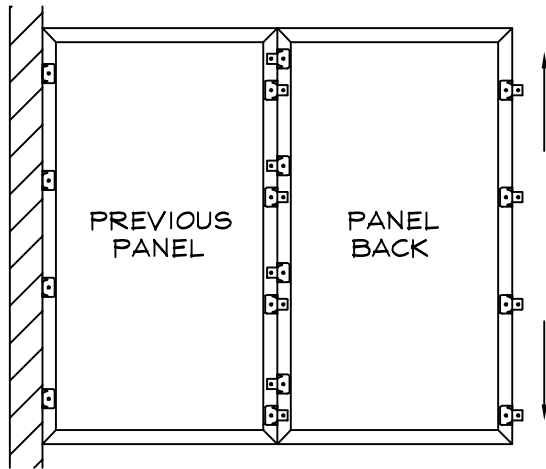


2

INSURE CLIP SPACING IS STAGGERED 1" TO 2" SO THAT CLIPS DO NOT INTERFERE WITH EACH OTHER

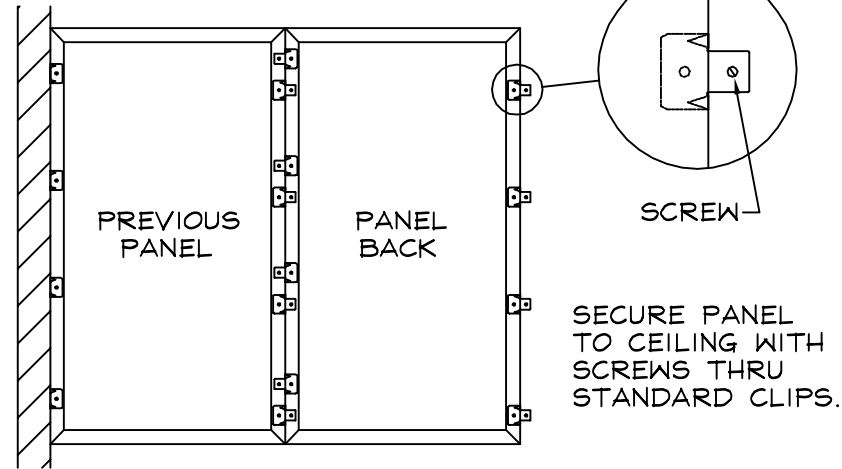


3



INSURE THAT PANEL IS ALIGNED WITH AND BUTTED FIRMLY AGAINST PREVIOUS PANEL.

4



TITLE MIDDLE WALL OR CEILING
 PANEL INSTALLATION
 W/BUTTED SEAMS

LAST DATE
 REVISED
 4/23/09

DRAWN BY
 JAA

DRAWING NO. INSTAL26
 T-DWG