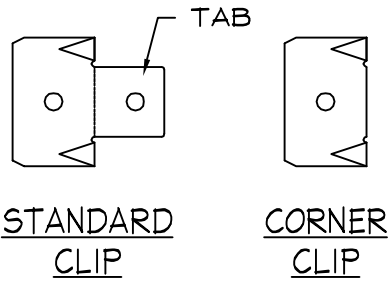
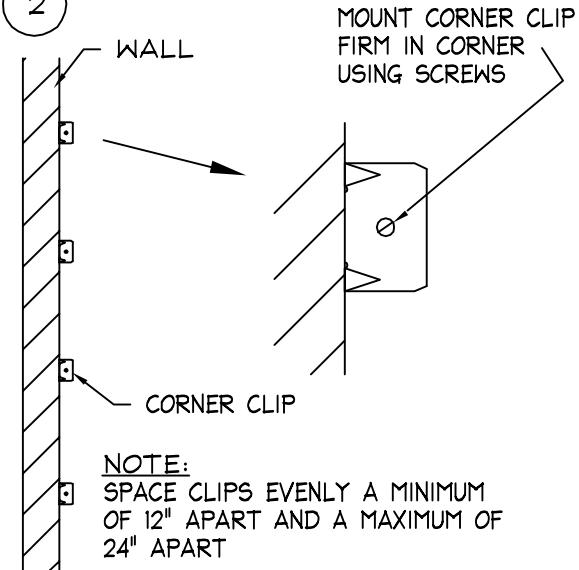


1

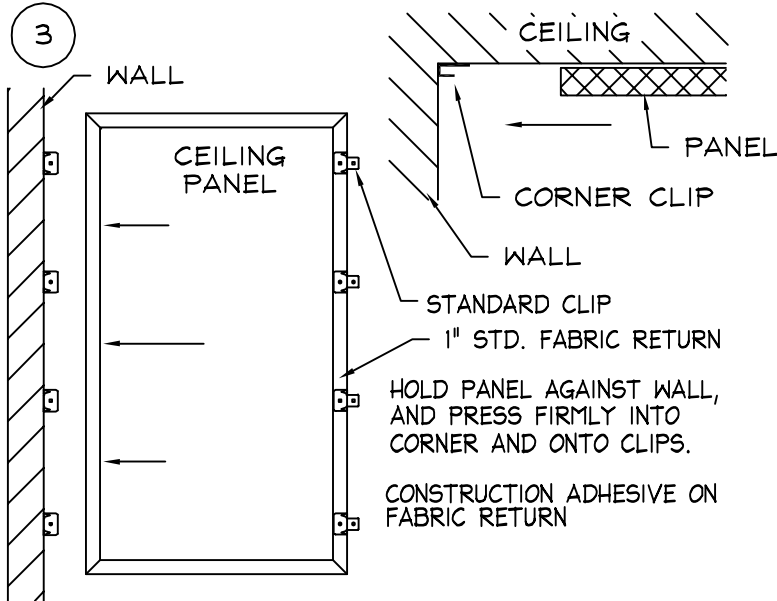


THE FIRST PANEL IN A CORNER REQUIRES THE TAB OF CLIPS TO BE CUT OFF.

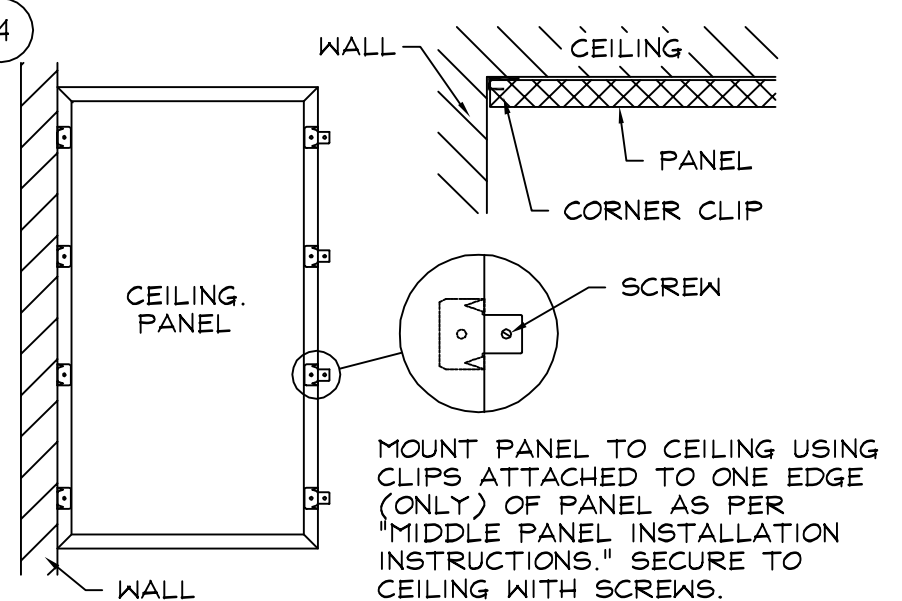
2



3



4



TITLE
CEILING PANEL INSTALLATION
FIRST PANEL W/ BUTTED SEAMS

LAST DATE REVISED
4/23/09

DRAWN BY
JAA

DRAWING NO. T-DWG
INSTAL25