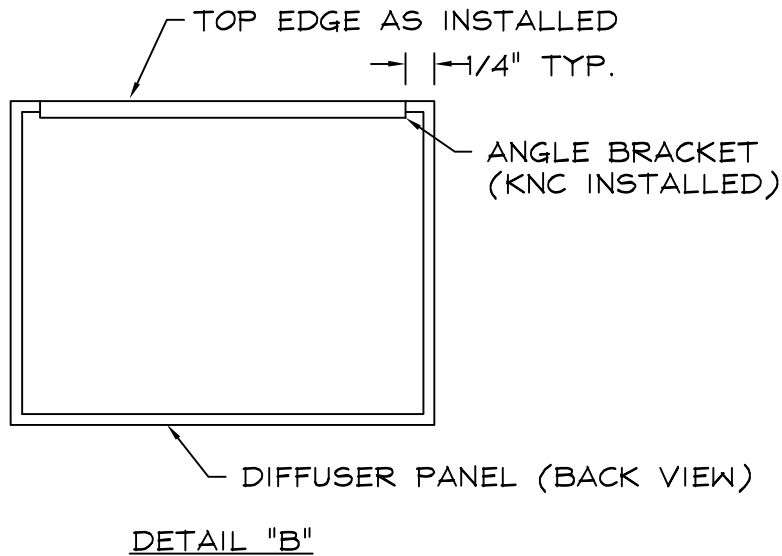


## WALL HUNG DIFFUSER PANELS INSTALLATION INSTRUCTIONS



1. EACH PANEL TO BE HUNG REQUIRES THE FOLLOWING KINETICS SUPPLIED ATTACHMENT MATERIALS:
  - A. (2) Z-CLIPS
  - B. BOTTOM ALUMINUM ANGLE (OPTIONAL)
2. THE PANEL WILL HANG ON THE Z-CLIP WHICH IS INSTALLED ON THE WALL PER DETAIL "A"
3. SET THE DIFFUSER PANEL AGAINST THE WALL OVER THE Z-CLIP AND SLIDE IT DOWN UNTIL THE CLIP IS ENGAGED. THE PANEL SHOULD BE SECURE WITH ALL 4 EDGES FLUSH TO THE WALL.
4. THE BOTTOM ALUMINUM ANGLE (SHIPPED LOOSE) MAY BE MOUNTED TO THE WALL THEN SECURED TO THE BOTTOM EDGE OF THE PANEL VIA SCREWS. (THIS STEP IS OPTIONAL.)

