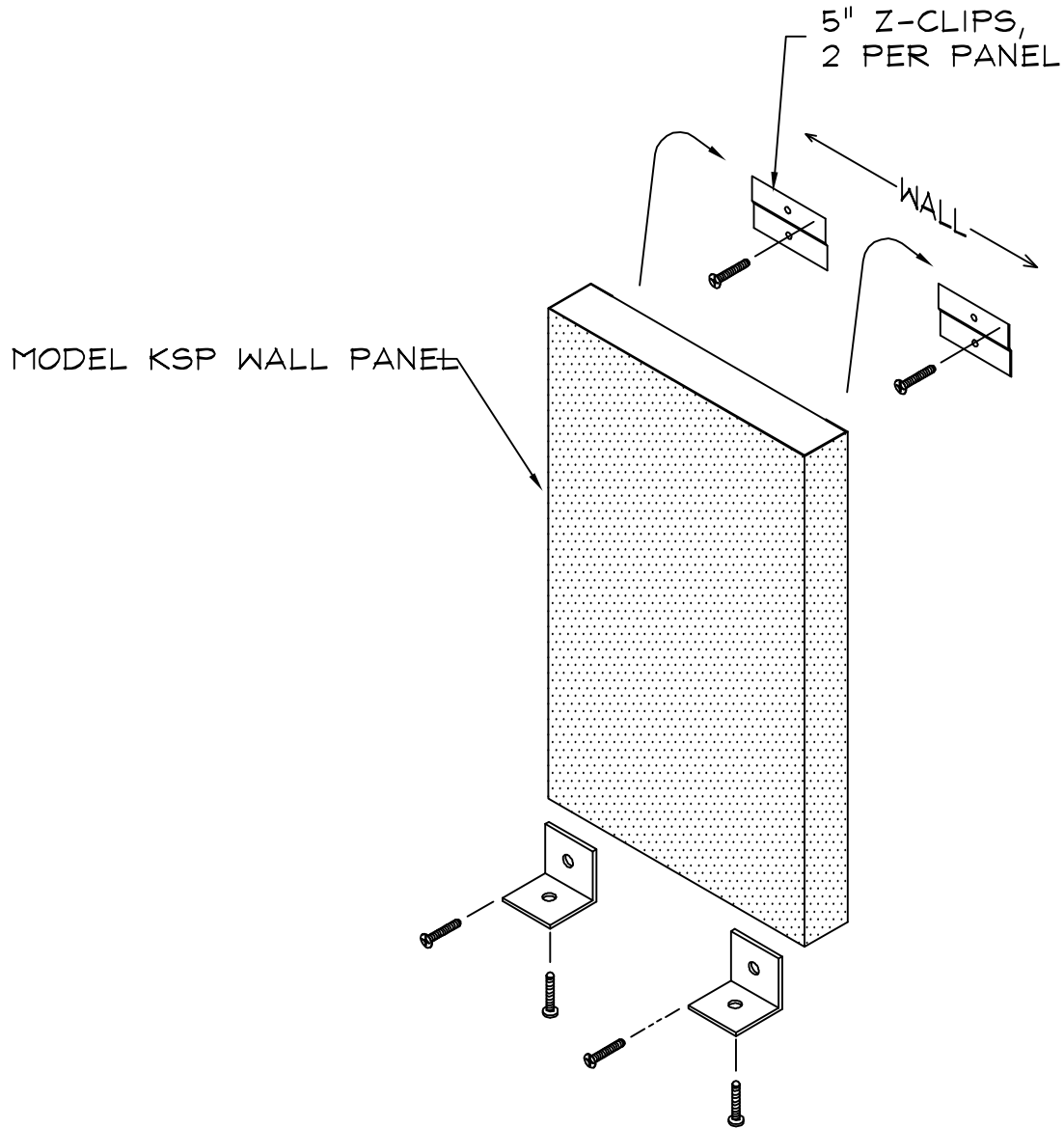


MODEL KSP  
INSTALLATION INSTRUCTIONS



1. USING APPROPRIATE SCREWS,  
ATTACH THE Z-CLIP TO THE WALL.
2. POSITION KSP WALL PANEL ONTO  
Z-CLIP.
3. ATTACH BOTTOM ANGLES