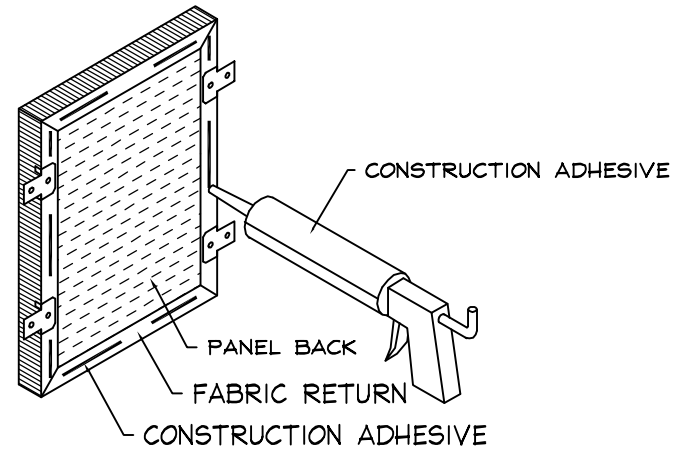
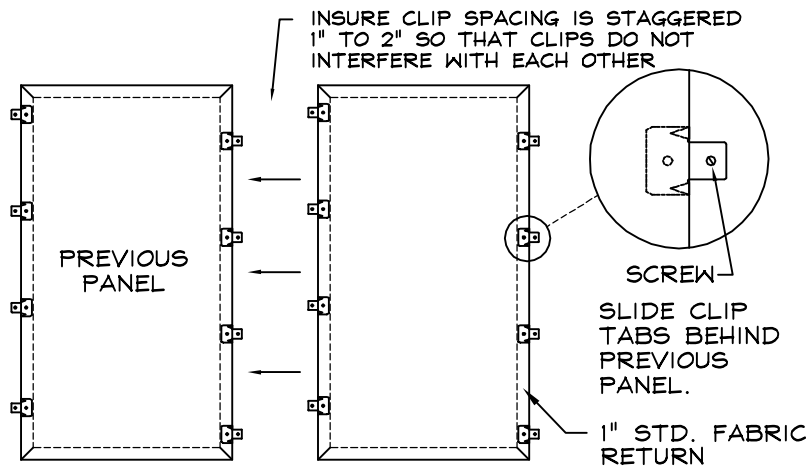


1. DETERMINE EXACT PANEL LOCATIONS
2. IMPALE CLIPS INTO PANEL EDGES

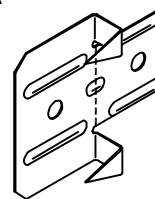


- (OPTIONAL)
3. APPLY ADHESIVE TO FABRIC RETURN (ABOVE)

4. LOCATE PANELS ON WALL, SCREW IN PLACE

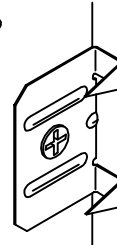


A



5. CLIPS MAY BE MODIFIED TO ALLOW PANEL PLACEMENT IN CORNERS PER DETAILS A AND B

B



6. IF EDGE IS EXPOSED, APPLY CONSTRUCTION ADHESIVE TO PANEL BACK AND TEMPORARILY SCREW IN PLACE UNTIL ADHESIVE HAS CURED