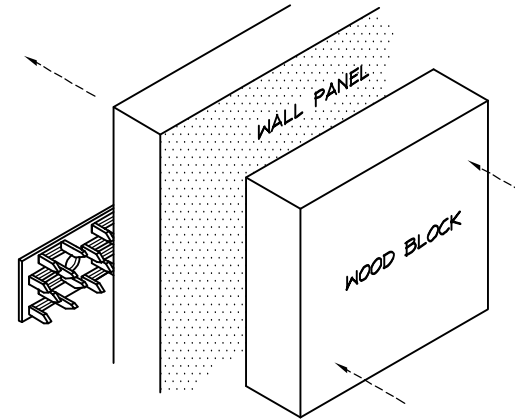
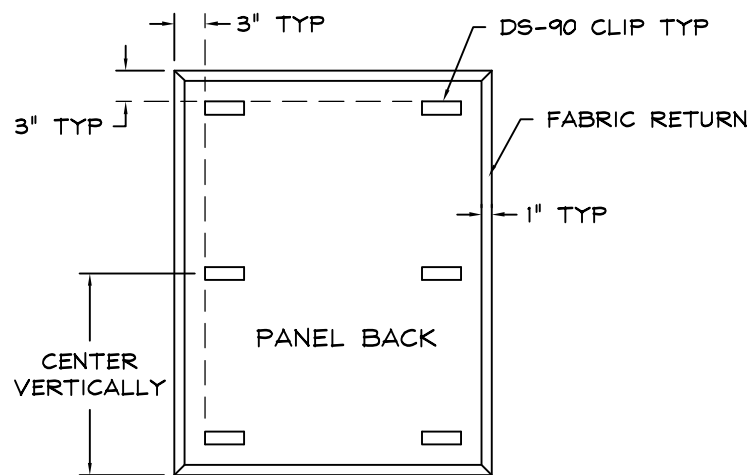


A



C



B

- DETERMINE WHERE PANELS ARE TO BE INSTALLED.
- SCREW DS-90 CLIPS ON WALL PER DETAIL B AND CLIP CHART BELOW.
- CLEAN WALL SURFACE AND APPLY CONSTRUCTION ADHESIVE TO PANEL BACK AS SHOWN IN DETAIL A  
**(ADHESIVE TO BE APPLIED TO FABRIC RETURN ONLY)**

IMPACT HARDSIDE PANELS ONTO CLIPS. A MALLETT AND WOODEN BLOCK MAY BE USED TO CAREFULLY FORCE PANEL DOWN ONTO CLIPS PER DETAIL C.

CLIP PLACEMENT IS APPROXIMATE  
NOTE: SEE CHART FOR TYP. NUMBER OF CLIPS PER PANEL

PANEL LENGTH	# OF CLIPS
UP TO 24"	4
24" TO 48"	4
48" TO 72"	4 - 6
72" TO 96"	6 - 8
96" TO 120"	8