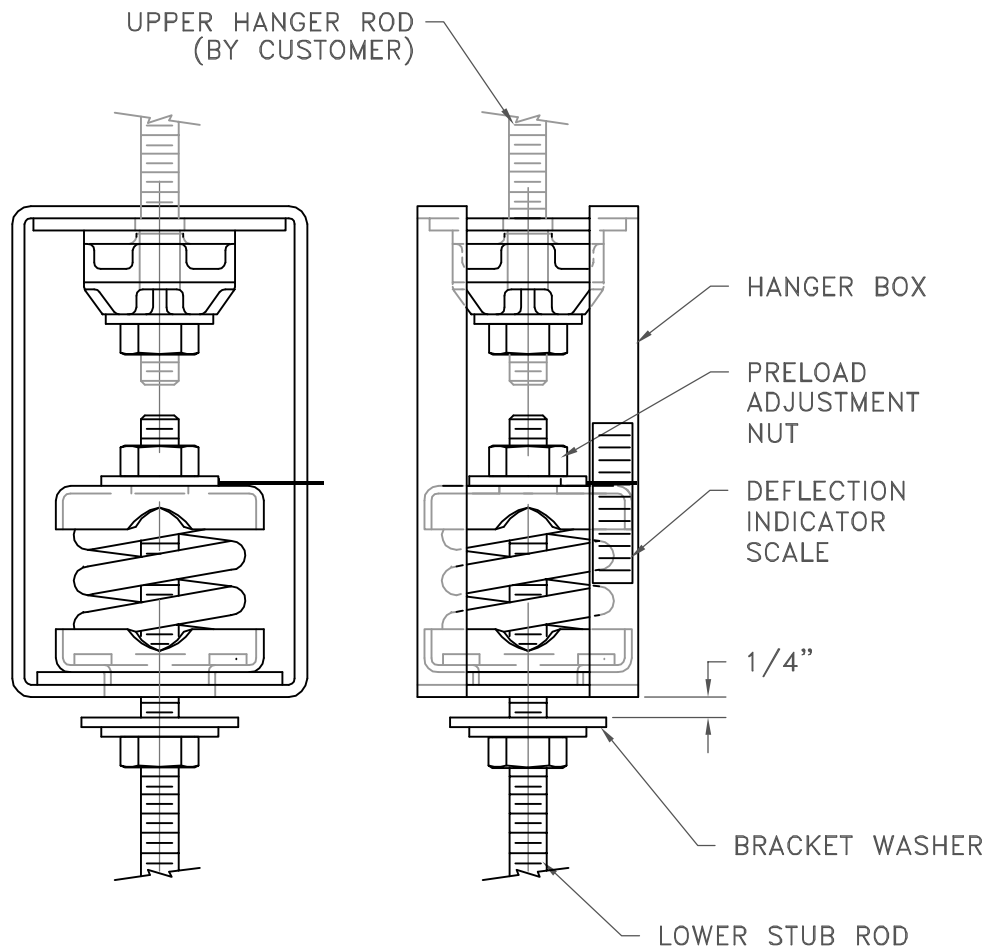


## INSTALLATION INSTRUCTIONS FOR SRPH HANGER



- 1) LOCATE EACH HANGER INTO POSITION UTILIZING SUBMITTAL DRAWING OR COLOR CODE AS IDENTIFICATION.
- 2) ATTACH HANGER BOX TO UPPER HANGING ROD AS SHOWN IN SKETCH.
- 3) ATTACH EQUIPMENT TO LOWER STUB ROD DIRECTLY OR VIA AN EXTENSION ROD ATTACHED TO THE LOWER STUB ROD WITH A COUPLING NUT.
- 4) ONCE ALL HANGERS HAVE BEEN INSTALLED AND THE SYSTEM HAS BEEN CHARGED, TURN THE PRELOAD ADJUSTMENT NUT COUNTERCLOCKWISE UNTIL THE BRACKET WASHER DROPS OFF THE BOTTOM OF THE BRACKET 1/4".
- 5) WHEN HANGERS ARE CLOSELY SPACED (LESS THAN 6-8') IT MIGHT BE NECESSARY TO TURN THE PRELOAD ADJUSTMENT NUT SEVERAL TURNS ON EACH HANGER SEQUENTIALLY. FAILURE TO DO THIS MIGHT OVERLOAD INDIVIDUAL HANGERS.