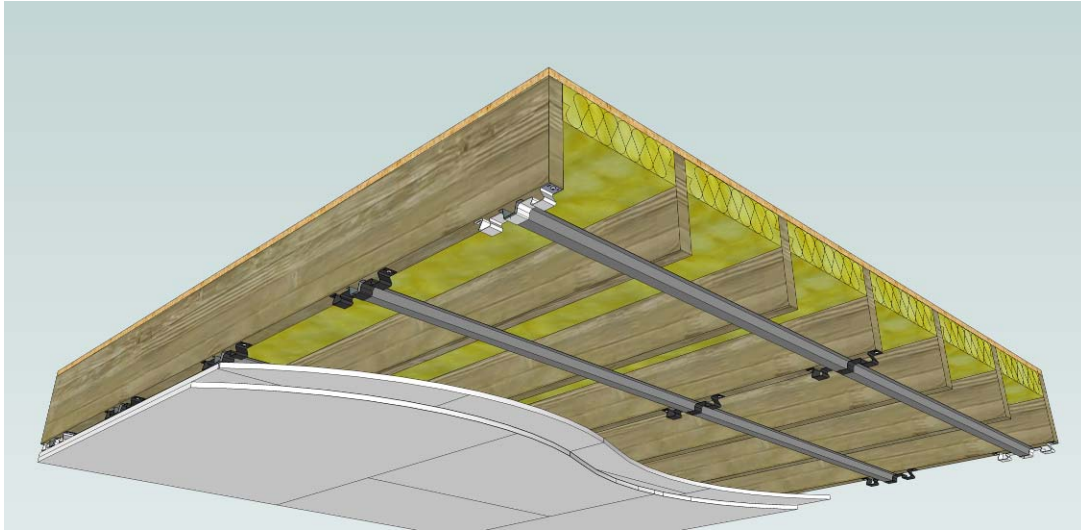


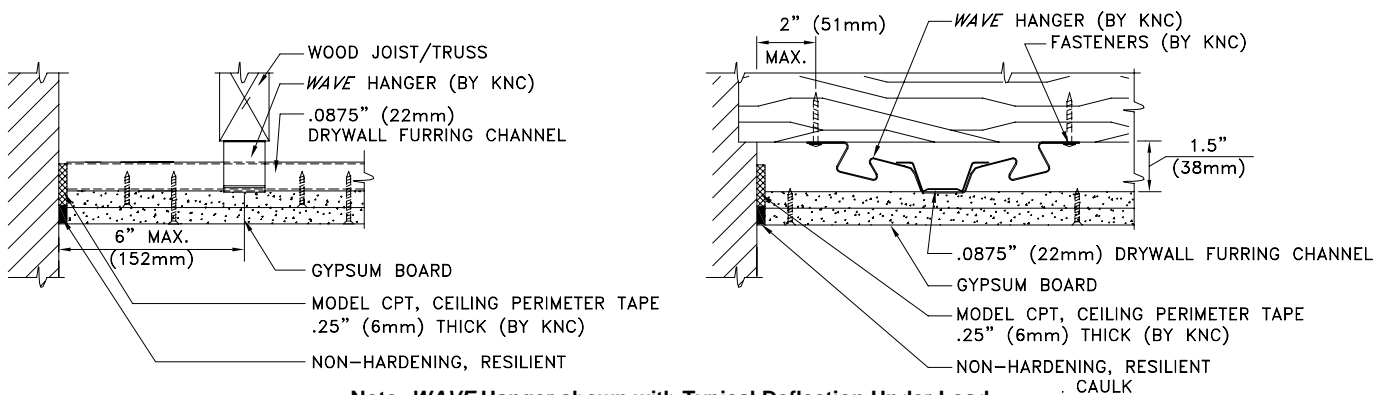
NOISE CONTROL RESILIENT CEILING **WAVE HANGER** *(Worldwide Patents Pending)* INSTALLATION GUIDELINES



Suggested Materials and Tools:

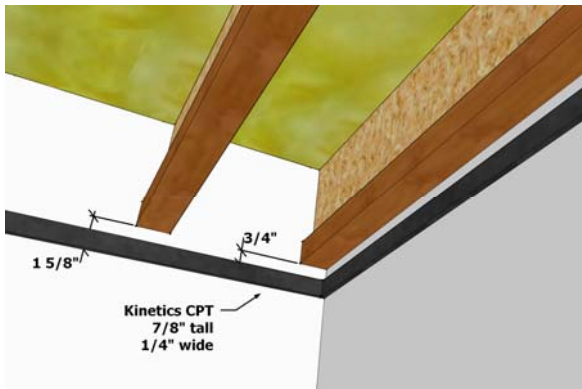
- Kinetics Noise Control CPT resilient tape for perimeter of room
- 0.875" tall 20 ga (minimum) drywall furring channel
- No. 18 SWG double strand galvanized steel tie wires
- 0.625" Type C Drywall
- No. 6 x 1.25" high low thread and No. 7 x 2" fine thread drywall screws
- Non-hardening, resilient acoustical caulk
- Hardened S2 square bit
- Powered screwdriver
- Pliers

Typical Perimeter Detail:

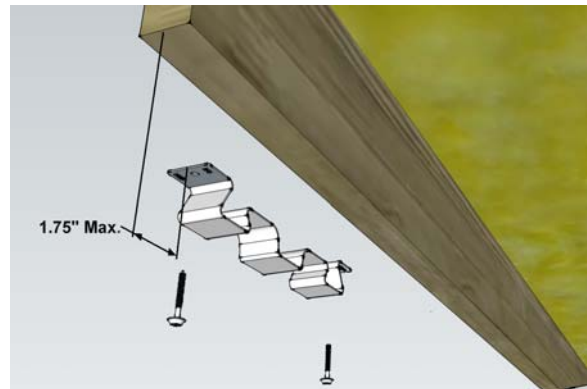


Note: WAVE Hanger shown with Typical Deflection Under Load

Detailed Installation Guidelines:

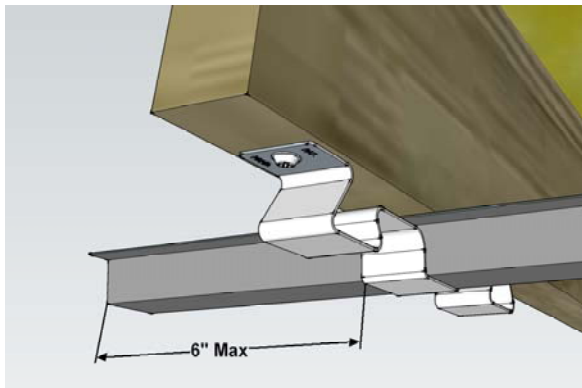


Step 1: Install a strip of Kinetics Noise Control Model CPT around the perimeter of the room with the top of the strip 0.75" below the bottom of the joists. (Option: leave 1/4" wide gap at ceiling perimeter, insert resilient backer rod, seal with caulk after drywall is installed)

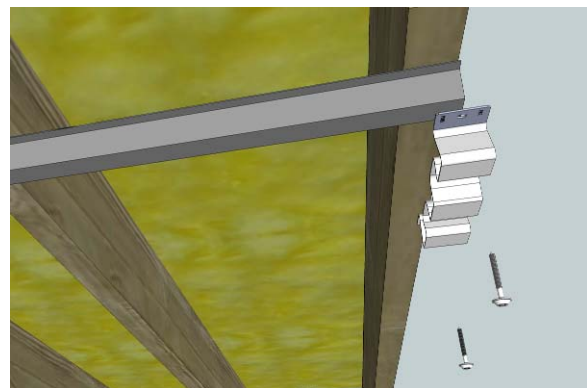


Step 2: Starting in one corner, use supplied screws to install a WAVE Hanger 22 (silver finish). Do not install WAVE Hanger with edge more than 1.75" from end of joist.

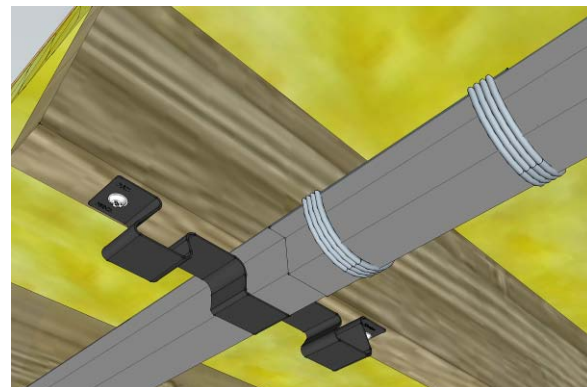
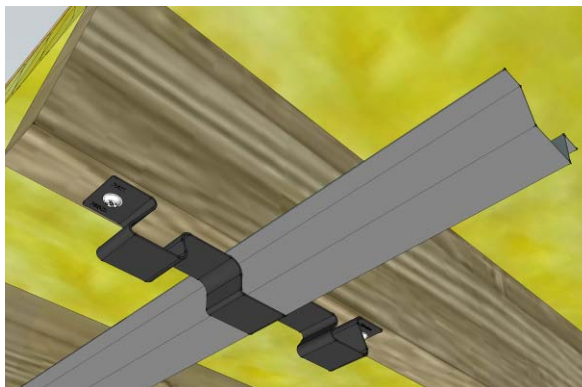
NOTE: WAVE Hanger 22 used in corners only.



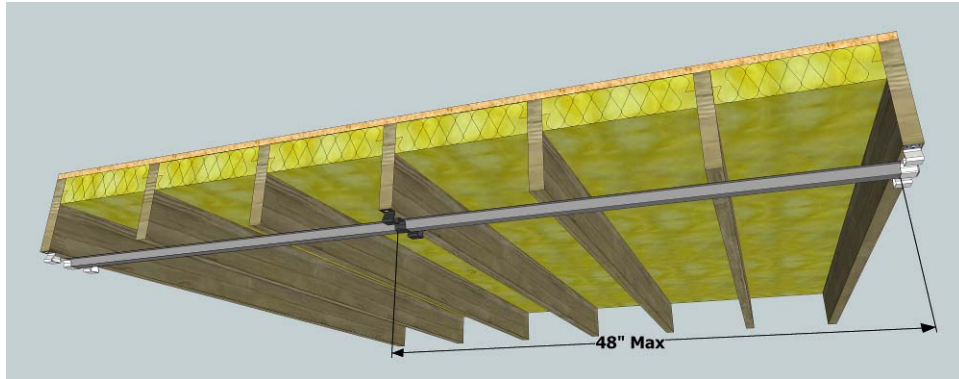
Step 3: Slide drywall furring channel into center section of WAVE Hanger. Do not allow drywall furring channel to touch the wall. Refer to Step 1 for application of CPT.



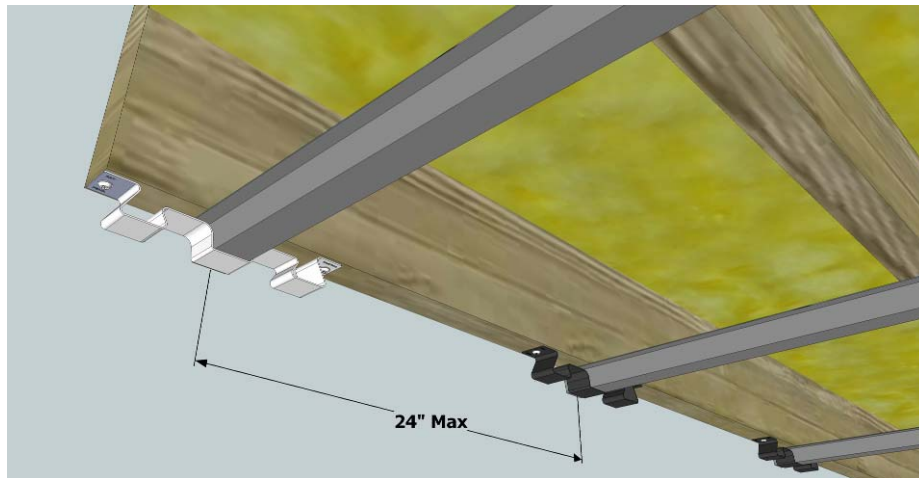
Step 4: With supplied screws, install WAVE Hanger 22 (silver finish) on the other end of the ceiling. Do not allow drywall furring channel to touch the wall. Refer to Step 1 for application of CPT.



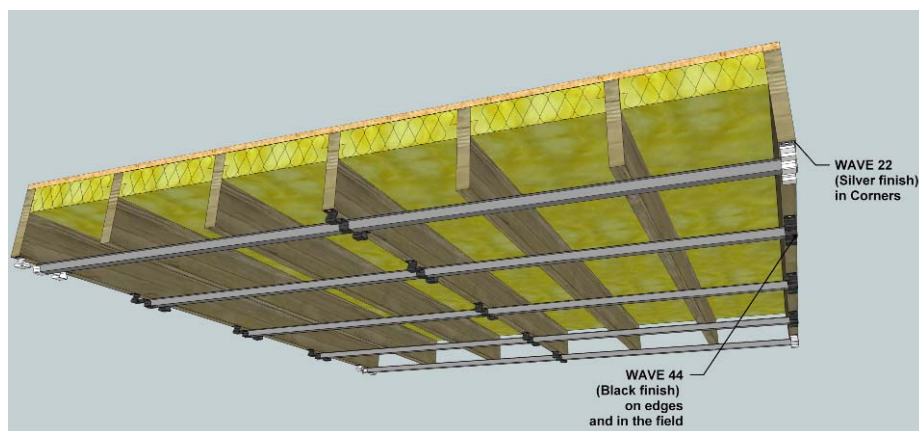
Step 5: If the ceiling is longer than the length of standard drywall furring channel, tie two channels together with No. 18 SWG double strand galvanized steel tie wires using standard construction techniques.



Step 6: Install *WAVE Hangers 44* (black finish) along drywall furring channel so that no two *WAVE Hangers* are more than 48" apart. Use *WAVE 44* everywhere but the corners. Refer to Step 1 for application of CPT.

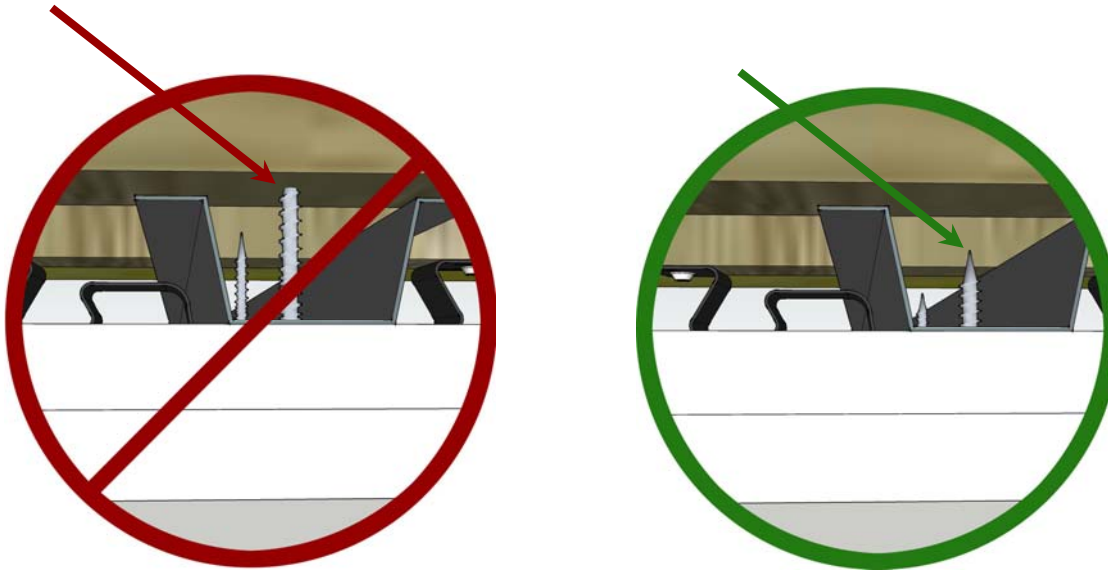


Step 7: Install additional hangers so that no two rows of drywall furring channel are more than 24" apart. Use *WAVE Hangers 44* (black finish) everywhere except for the corners. Refer to Step 1 for application of CPT.



Step 8: Completed Ceiling with *WAVE Hanger 22* (silver finish) in the corners and *WAVE Hanger 44* (black finish) everywhere else.

Notes on Drywall Installation:



Do not screw drywall to joists

Install drywall to drywall furring channel using accepted practices for drywall installation and for meeting local building code requirements.

Disclaimer

These installation guidelines represent generally accepted procedures for successful installation of Kinetics Noise Control WAVE Hanger. These suggestions may be followed, modified, or rejected by the owner, engineer, contractor, and/or their respective representative(s) since they, not Kinetics Noise Control, are responsible for planning and executing procedures appropriate to a specific application. Kinetics Noise Control reserves the right to alter these suggestions and encourages contact with the factory or its representatives to review any possible modification to these installation guidelines prior to commencing installation.