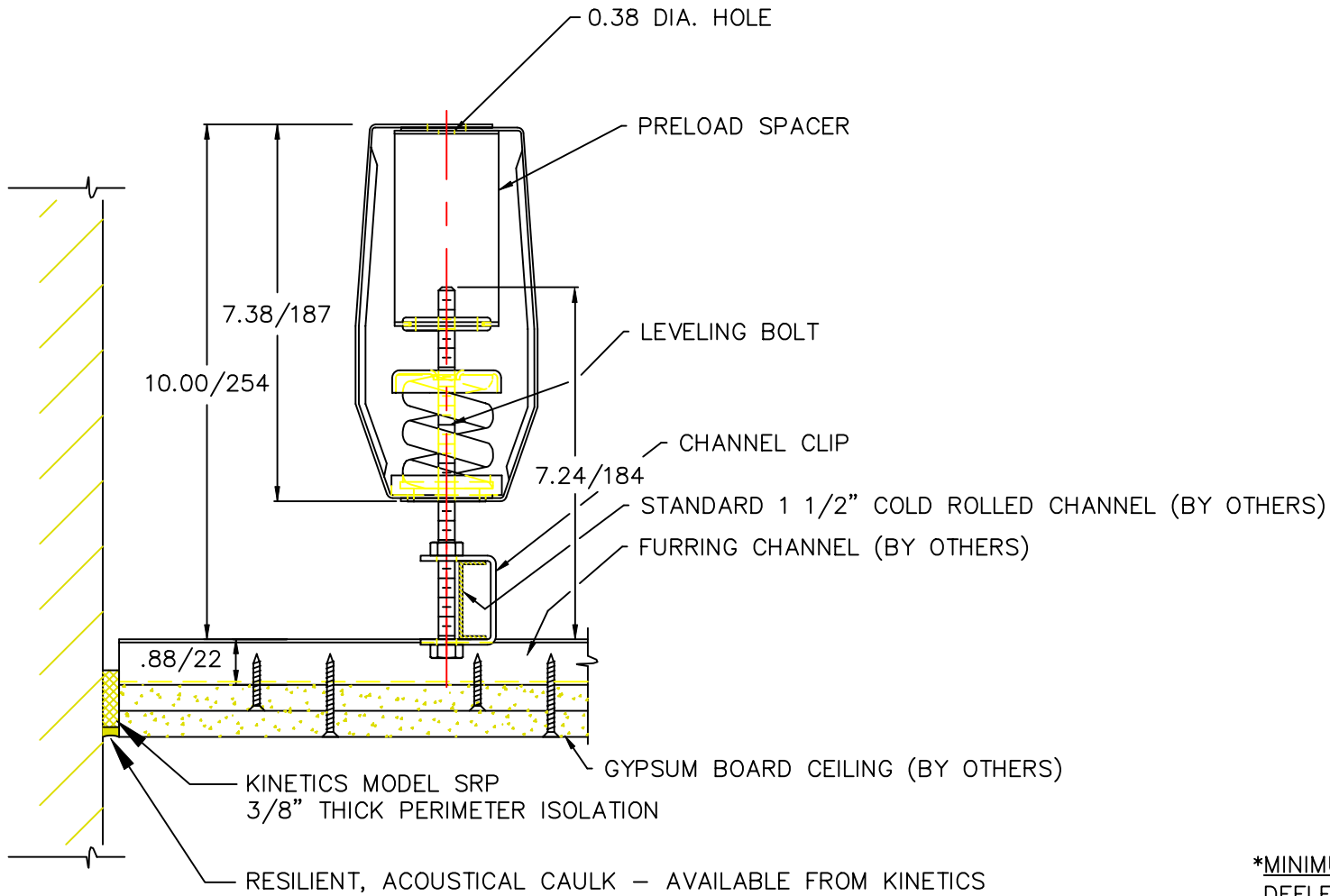


NOTE:
ALL DIMENSIONS SHOWN IN
INCHES AND MILLIMETERS.



ITEM NO.	TYPE	SPRING COLOR	LOAD RATING
			1"/25 MM DEFL.
01	ICC-24	BLUE	24#
03	ICC-50	GREEN	50#
05	ICC-100	GRAY	100#
07	ICC-210	BROWN	210#

*MINIMUM HEIGHT AFTER 1"
DEFLECTION = 10"/254MM
OVERALL HEIGHT VARIES BASED ON
DEFLECTION & LEVELING BOLT ADJUSTMENT



TITLE TYPICAL CONSTRUCTION
ICC CEILING HANGER
AT PERIMETER

LAST DATE
REVISED
05/11/04

REVISED BY
TEF

DRAWING NO.
SS-20040565