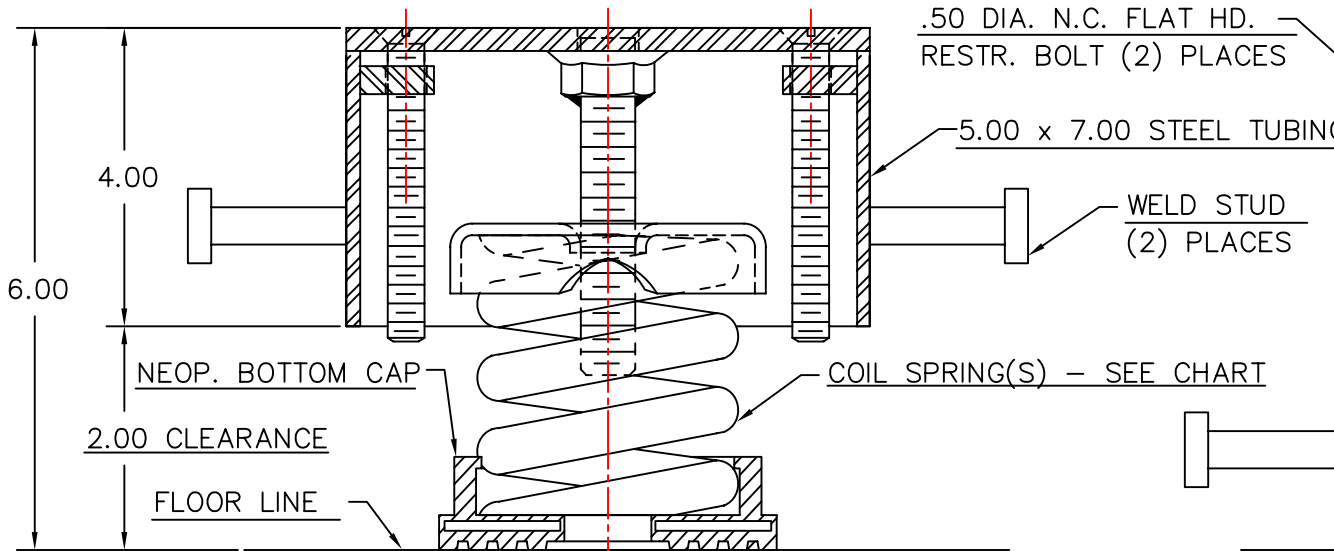
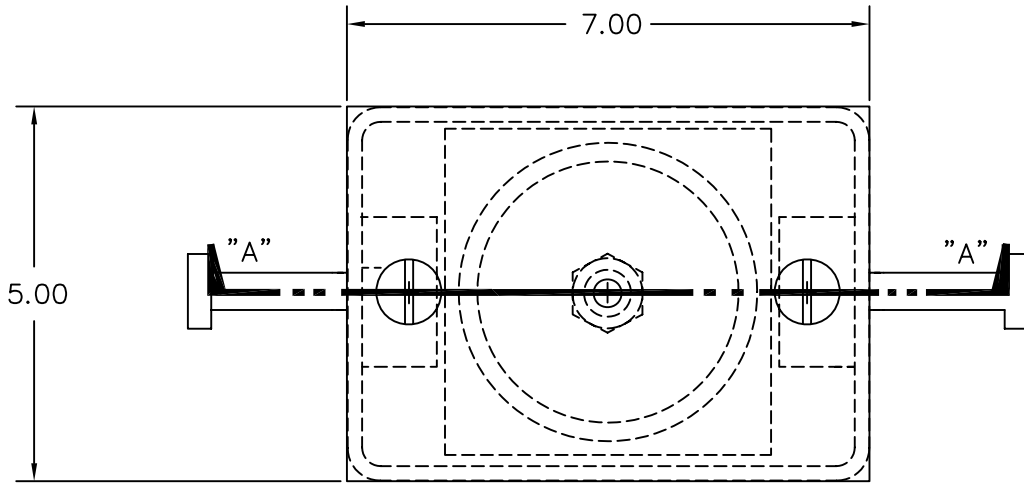


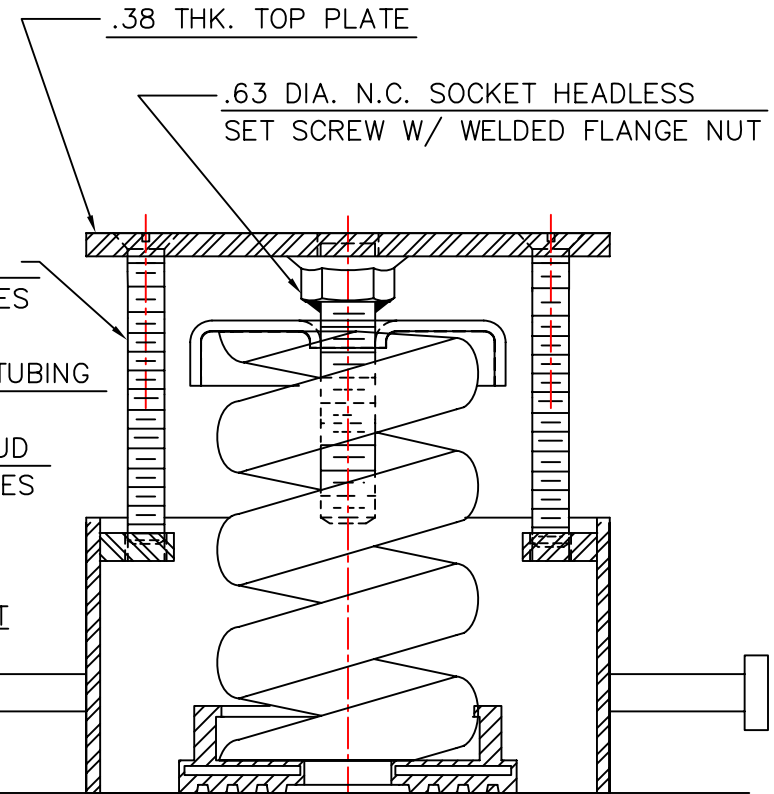
**NOTE:**

ALL DIMENSIONS IN INCHES. HARDWARE TO BE BRIGHT ZINC PLATED.  
 SPRING & HOUSING TO BE PAINTED. (PAINT INSIDE ONLY)

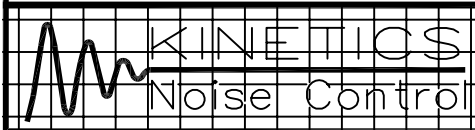
Model No.	Spring Color	Rated Defl.	Rated Load	Spring O.D.	Spring Free Ht.
		IN/MM	LBS./KG	IN/MM	IN/MM
LSM-2-100	GRAY	2.00/51	100/45	3.50/89	6.09/155
LSM-2-250	BLUE	2.00/51	250/115	3.50/89	6.09/155
LSM-2-500	GREEN	2.00/51	500/225	3.50/89	6.09/155
LSM-2-750	BLACK	2.00/51	750/340	3.50/89	6.09/155
LSM-2-995	ORANGE	2.00/51	995/450	3.50/89	6.09/155
LSM-2-1400	ORG/BLK	2.00/51	1400/635	3.50/89	6.09/155
LSM-2-1600	RED	2.00/51	1600/727	3.50/89	6.09/155
LSM-2-1975	RED/GRN	2.00/51	1975/898	3.50/89	6.09/155



SECTION "A-A" @ OP.HT.



SECTION "A-A" @ FR.HT.



TITLE LSM-2-100/1975  
 4" THICK SLAB/2" AIRSPACE

LAST DATE  
 REVISED  
 12/05/03

DRAWN BY  
 TEF

DRAWING NO. SS-DWG  
 SS-20031075