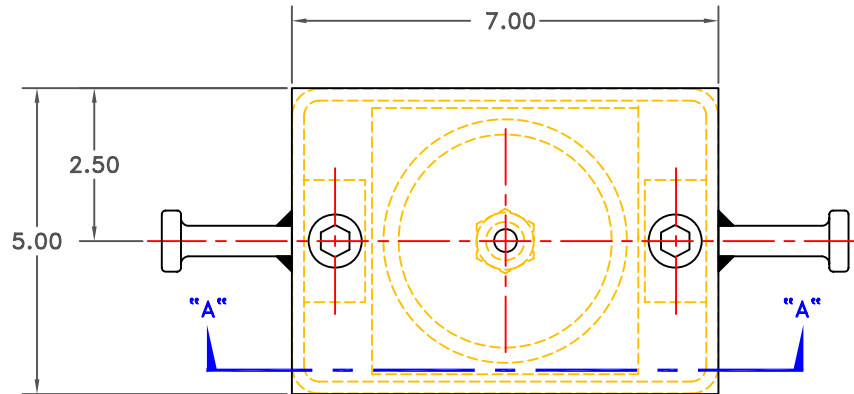
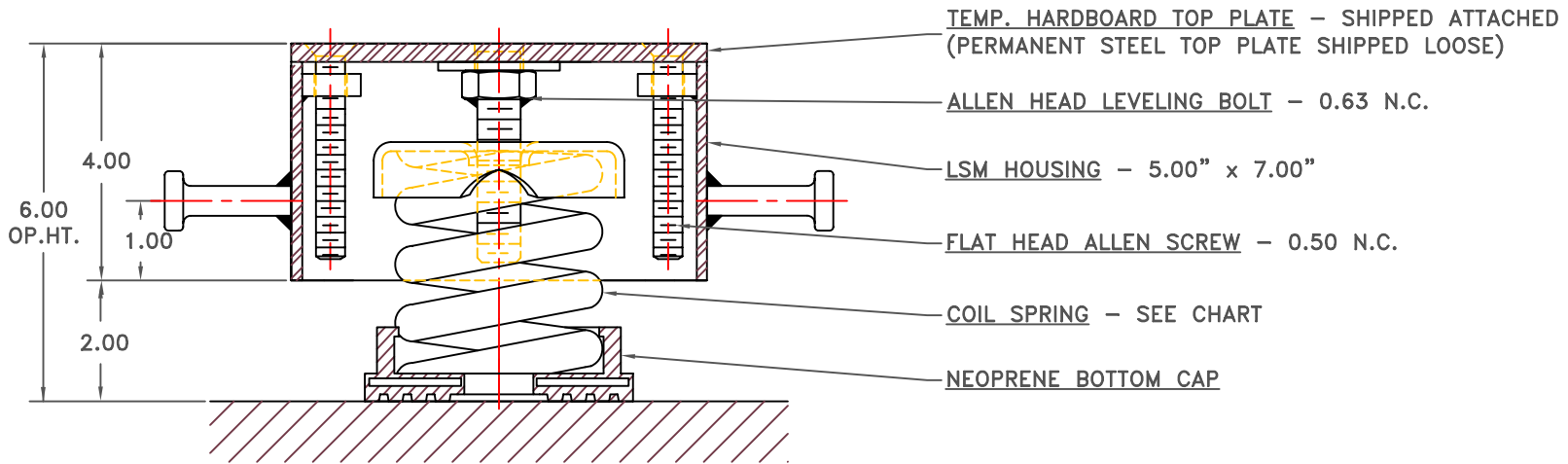


NOTE:

1. ALL DIMENSIONS IN INCHES.
2. HARDWARE TO BE BRIGHT ZINC PLATED.
3. SPRING TO BE POWDER COATED.
4. HOUSING (INSIDE ONLY) TO BE PAINTED.
5. MINIMUM K_x/K_y RATIO OF 1.0.
6. ALL ELEMENTS SAFE AT SOLID LOADING.



STANDARD RATINGS		SPRING COIL					
TYPE	SIZE	COLOR		FREE HT.	O.D.	RATED	
		OUTER	INNER			LOAD	DEFL.
LSM	1-250	BLUE		4.20	3.00	250	1.79
LSM	1-450	GREEN		4.20	3.00	450	1.54
LSM	1-625	BLACK		4.20	3.00	625	1.44
LSM	1-800	GRAY		4.20	3.00	800	1.31
LSM	1-1000	RED		4.20	3.00	1000	1.15
LSM	1-1250	BROWN		4.20	3.00	1250	1.09
LSM	1-1700	ORANGE		4.20	3.00	1700	0.95
LSM	1-2200	ORANGE	GRAY	4.20	3.00	2200	1.00
LSM	1-2465	BLUE		4.20	3.00	2465	1.00
LSM	1-2865	BLUE	GRAY	4.20	3.00	2865	1.00
LSM	1-3500	BLUE	BROWN	4.20	3.00	3500	1.00



SECTION "A-A" @ OP.HT.

TEMP. HARDBOARD TOP PLATE - SHIPPED ATTACHED
(PERMANENT STEEL TOP PLATE SHIPPED LOOSE)

ALLEN HEAD LEVELING BOLT - 0.63 N.C.

LSM HOUSING - 5.00" x 7.00"

FLAT HEAD ALLEN SCREW - 0.50 N.C.

COIL SPRING - SEE CHART

NEOPRENE BOTTOM CAP



TITLE

LSM-1-250/3500

LAST DATE
REVISED
08/14/03

REVISED BY
BB

DRAWING NO.
SS-20030836

SS-2003