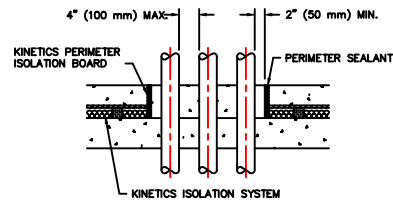
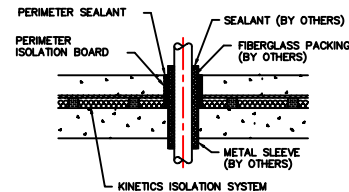


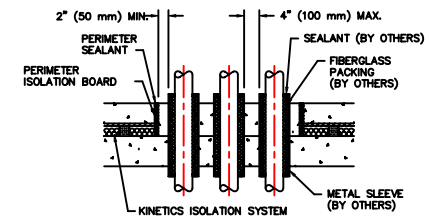
SINGLE PENETRATION



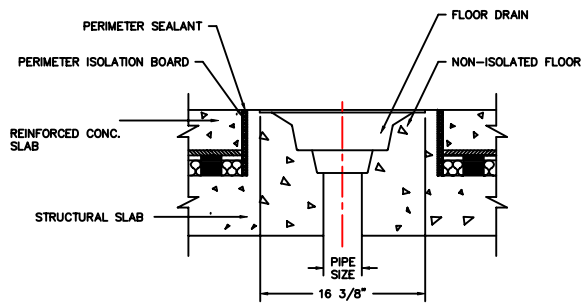
GROUP OF PENETRATIONS



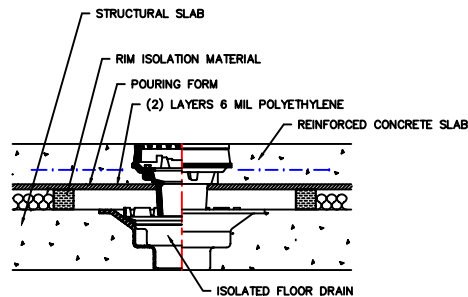
SINGLE SLEEVED PENETRATION



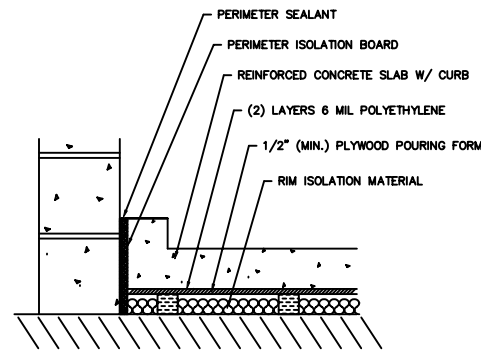
GROUP OF SLEEVED PENETRATION



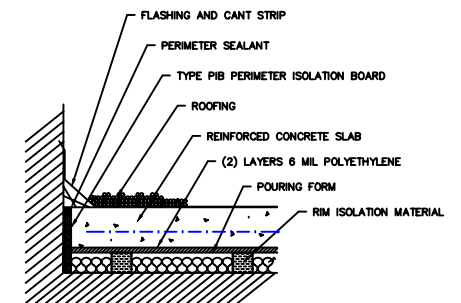
FLOATING FLOOR DRAIN
(NON-FLOATING APPLICATION)



2-PIECE ISOLATED FLOOR DRAIN



SECTION @ CURB



FLOATING CONCRETE ROOF SYSTEM

NO.	REVISION		PROJECT	SCALE	UNLESS OTHERWISE NOTED, DIMENSION TOLERANCE TO BE ±	P.O. CONTRACT NO.	DRAWN BY	TITLE
			CUSTOMER	REPRESENTATIVE	DATE	CHECKED BY	DIRECTORY:	DRAWING NO.
						11-12-04	JAE	RIM DETAILS