



MODEL ICC DECK-SUSPENDED CEILING HANGER

INSTALLATION GUIDELINES

IMPORTANT! PLEASE READ FIRST:

These suggested installation guidelines represent generally accepted procedures for successful installation of Kinetics Noise Control Model ICC Deck-Suspended Ceiling Hanger for ceiling system isolation. These suggestions may be followed, modified, or rejected by the owner, engineer, contractor, and/or their respective representative(s) since they, not Kinetics Noise Control, are responsible for planning and executing procedures appropriate to a specific application. Kinetics Noise Control reserves the right to alter these suggestions and encourages contact with the factory or its representatives to review any possible modification to these suggested guidelines prior to commencing installation.

1. Installation of an isolated ceiling system that uses Kinetics Noise Control Model ICC Ceiling Hangers requires following materials (as specified by others and purchased separately):

- A. 1-1/2" x 1/2", 16-gauge cold-rolled channel.
- B. 7/8" 20- to 25-gauge drywall furring channel.
- C. Anchors for mounting into non-isolated ceiling substrate (threaded rod if required).
- D. 1/2" or 5/8" thick gypsum board (Type X).
- E. Appropriate tools and equipment for installation.

Please note: If submittal drawings have been prepared for the installation, review drawings for completeness and accuracy; otherwise, refer to Selection Guidelines for selecting ceiling hangers.

2. Mark grid pattern on existing non-isolated ceiling using the following criteria:

- A. Isolators installed at the perimeter must be located not more than 16" from the edge of the isolated ceiling; maintain at least a three-inch clearance from the perimeter.
- B. Isolators may be located up to 48" along the perimeter of the isolated ceiling.
- C. Isolators mounted mid-room (i.e., those isolators not at the perimeter) may be located up to 48" on center each way (o.c.e.w.); mid-room isolators should be spaced evenly in each direction.

Please note: Submittal drawings, if provided, override general location guidelines provided above.

3. Remove Model ICC Hangers from box. Confirm capacity of each isolator to ensure proper location in grid (See chart below). The spring color can be used as a guide to model number. The blue spring is an ICC-24, green an ICC-50, gray an ICC-100 and brown an ICC-210. If

provided, submittal drawings will identify location of specific hanger by capacity rating. After determining the direction the cold-roll channel will run (orientation is not important acoustically), locate the isolators or threaded rod at the intersect points on the grid. Anchor isolators to non-isolated ceiling using appropriate fastener through the 3/8" diameter opening at the top of the pre-load spacer and hanger bracket. Slide cold-rolled channel through the channel clip of the leveling bolt. Position the cold-rolled channel to prevent contact at partition/wall/column or any other non-isolated structural component. Inter-connect ends of cold-rolled channel using appropriate practices for ceiling grid installation.

Model ICC	Spring Color	Capacity Range (lbs.)	Deflection Range (in.)
4	Blue	12-24	0.50-1.00
50	Green	25-50	0.50-1.00
100	Gray	50-100	0.50-1.00
210	Brown	105-210	0.50-1.00

4. Attach drywall furring channel to cold-rolled steel and inter-connect the ends of the furring channel using appropriate practices for ceiling grid installation. Furring channel cannot contact non-isolated structural components.

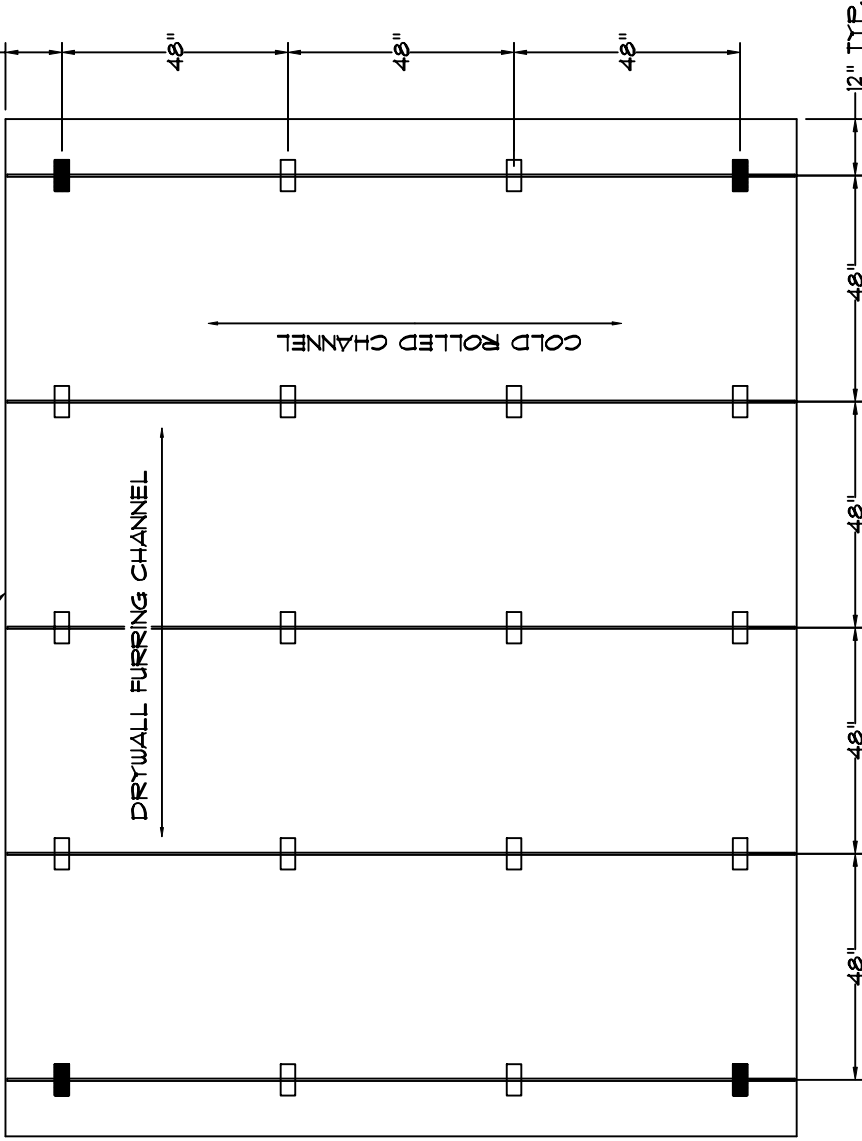
5. After assembling the ceiling grid, check for levelness. By loosening or tightening the bottom nut of the leveling bolt/channel clip, the grid can be adjusted to level. Do not overly loosen. A minimum 1/4" of threaded rod should be exposed above the threaded spring cap.

6. Install Model SRP perimeter isolation board at partitions/walls, columns, and around any non-isolated building components to create a 3/8" wide resilient layer that ensures the isolated ceiling remains decoupled from the non-isolated structure. As the gypsum board is attached to the grid, the springs will compress (1/2" to 1-1/4" nominally depending on spring capacity) allowing the ceiling system to lower into final position. Position the Model SRP to account for this change to final elevation. Trimming the Model SRP may be required following installation of the gypsum board. If an alternate method for ensuring that the isolated ceiling remains decoupled is employed (e.g., using resilient backer rod), be sure to maintain a 3/8" gap from non-isolated structural components.

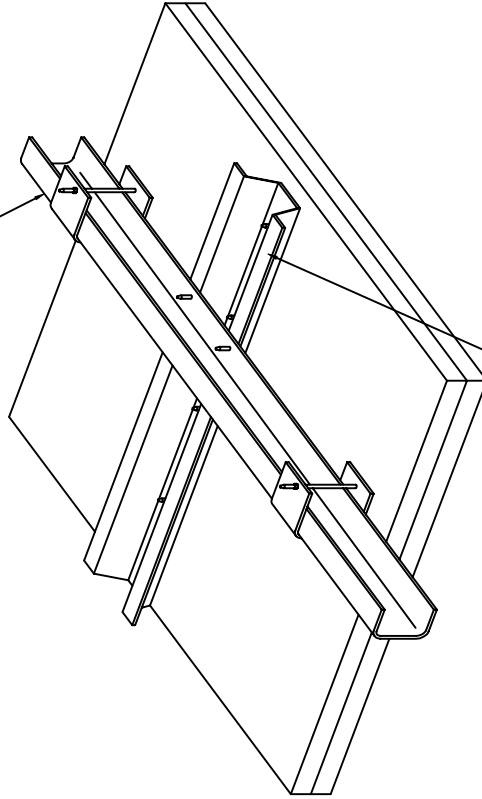
7. Install the gypsum board using accepted practices for attaching to the grid system. Be certain to maintain a 3/8" gap between non-isolated structural components and the isolated ceiling to ensure that the gypsum board does not contact any non-isolated structural components. Do not allow gypsum board to rest on top edge of Model SRP; it should abut the perimeter isolation board. Do not allow the Model SRP to become compressed against the non-isolated structure. In some cases, additional adjustment of the gypsum board may be necessary to achieve levelness, consult factory for procedures.

8. Trim Model SRP as required and caulk gap using a resilient, non-hardening caulk.

(2) LAYERS GYPSUM BOARD



COLD ROLLED CHANNEL



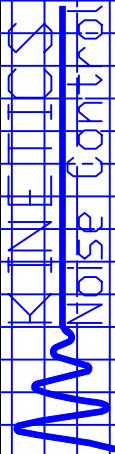
DRYWALL FURRING CHANNEL

NOTES:

- 1.) NO CHANNEL SHALL CONTACT PERIMETER AND CREATE A SHORT-CIRCUIT.
- 2.) ATTACH TWO (2) LAYERS OF 5/8" THICK TYPE "X" GYPSUM BOARD TO DUF.
- 3.) SEAL EDGES W/ RESILIENT NON-HARDENING CAULK
- 4.) ISOLATED CEILING CANNOT BE RIGIDLY ATTACHED TO ANY NON-ISOLATED STRUCTURE.

DRAWING KEY

- - MODEL ICC-50
- - MODEL ICC-100



TITLE TYPICAL CEILING HANGER LAYOUT MODEL ICC (1" DEFL.)

LAST DATE REVISED 10/31/03

DRAWN BY TEF

DRAWING NO. DIAGRAM "A"