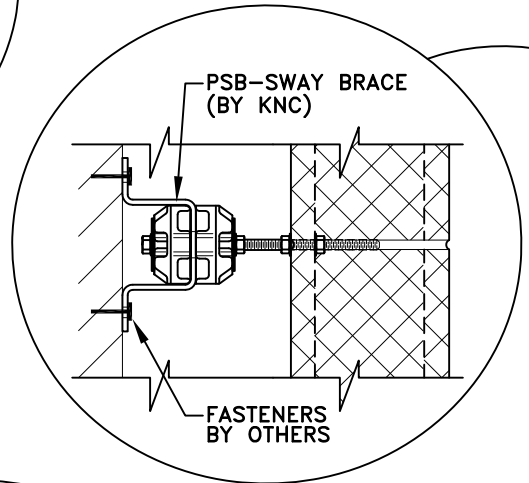
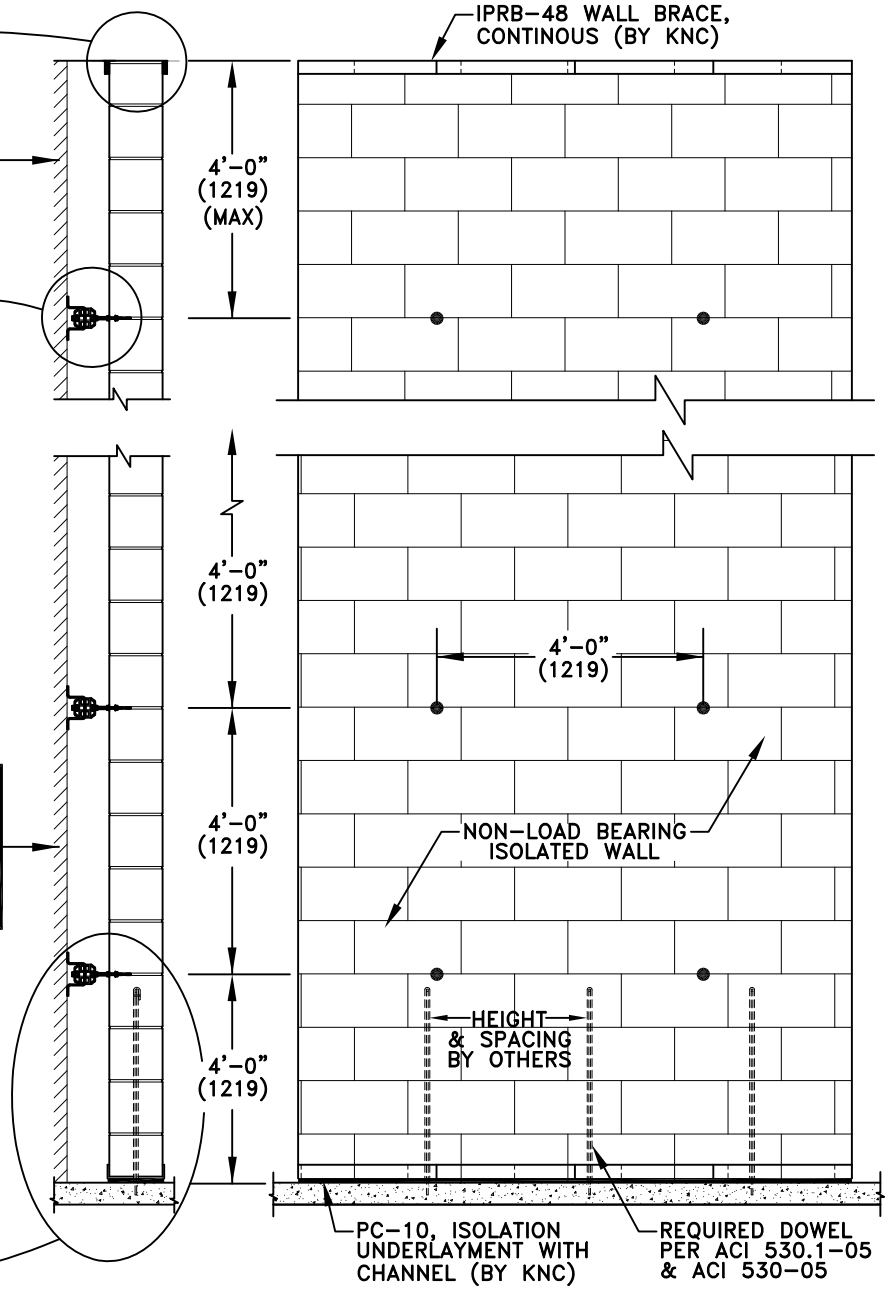
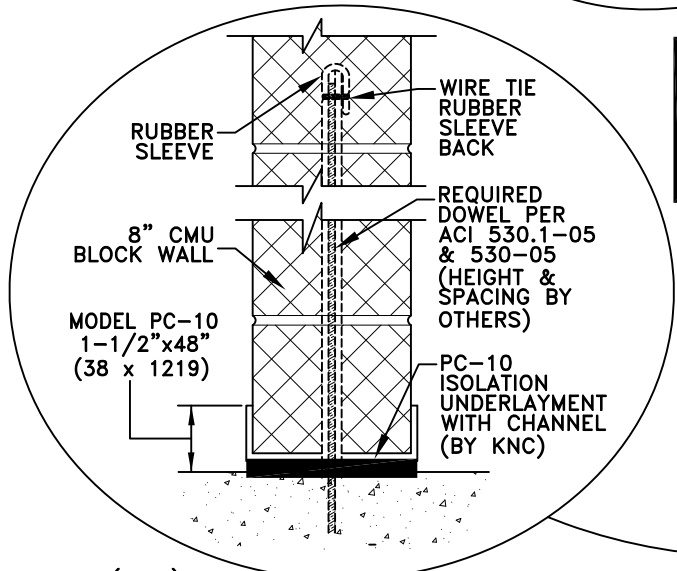


**STRUCTURAL WALL OR
STRUCTURAL MEMBER
OF THE BUILDING**



**STRUCTURAL WALL OR
STRUCTURAL MEMBER
OF THE BUILDING**



NOTES:

1. THE CONNECTION OF THE IPRB-48 TO THE STRUCTURAL DECK ABOVE IS TO BE REVIEWED BY THE STRUCTURAL ENGINEER OF RECORD FOR THE PROJECT.
2. APPLICATIONS ARE ONLY TO BE USED FOR PROJECTS IN SEISMIC DESIGN CATEGORY A OR B. CONTACT MANUFACTURER FOR SEISMIC DESIGN CATEGORIES C THRU F

DIMENSION FORMAT: IN (mm)



TITLE NON-LOAD BEARING ISOLATED WALL UP TO 20'-0" WITH IPRB-48 AND PC-10

LAST DATE REVISED 08/11/11

REVISED BY TJM

DRAWING NO. AA001949