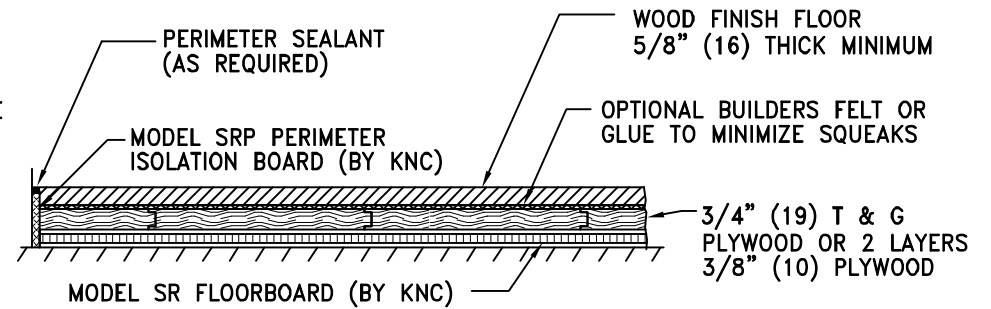
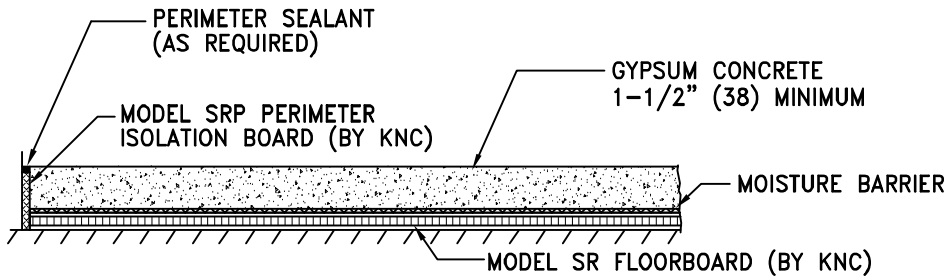


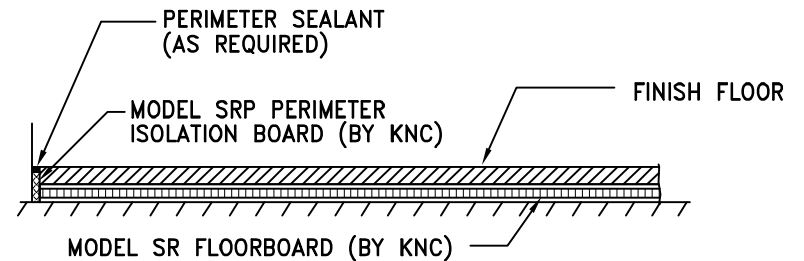
WIRE REINFORCED MORTAR BED, CONCRETE



NAIL OR GLUE DOWN HARDWOOD FLOOR

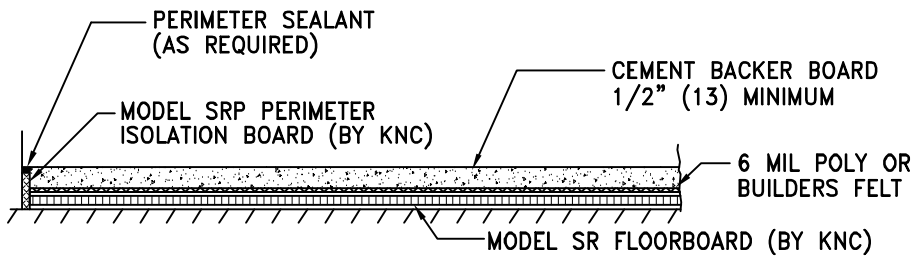


GYPSUM CONCRETE

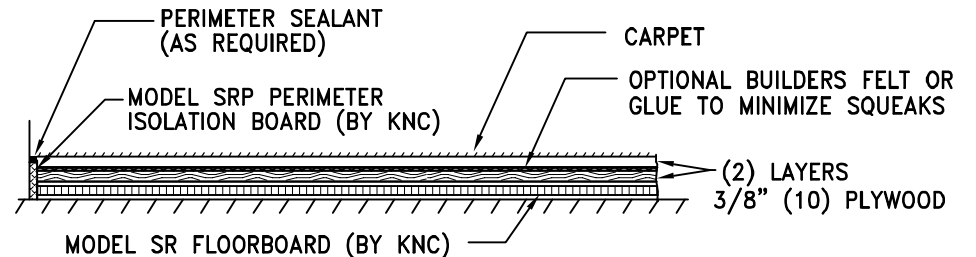


ENGINEERED WOOD FLOOR

* ENGINEERED WOOD FLOOR PRODUCT MUST BE TESTED BY KINETICS NOISE CONTROL FOR ACCEPTABILITY PRIOR TO INSTALLATION.



REINFORCED CEMENT BACKERBOARD



CARPET

DIMENSION FORMAT: IN (mm)

SEE INSTALLATION GUIDELINES FOR FULL DETAILS



TITLE ACCEPTED MODEL SR FLOORBOARD FLOOR ASSEMBLIES

LAST DATE REVISED 6/20/11

DRAWN BY MDV

DRAWING NO. AA AA001844