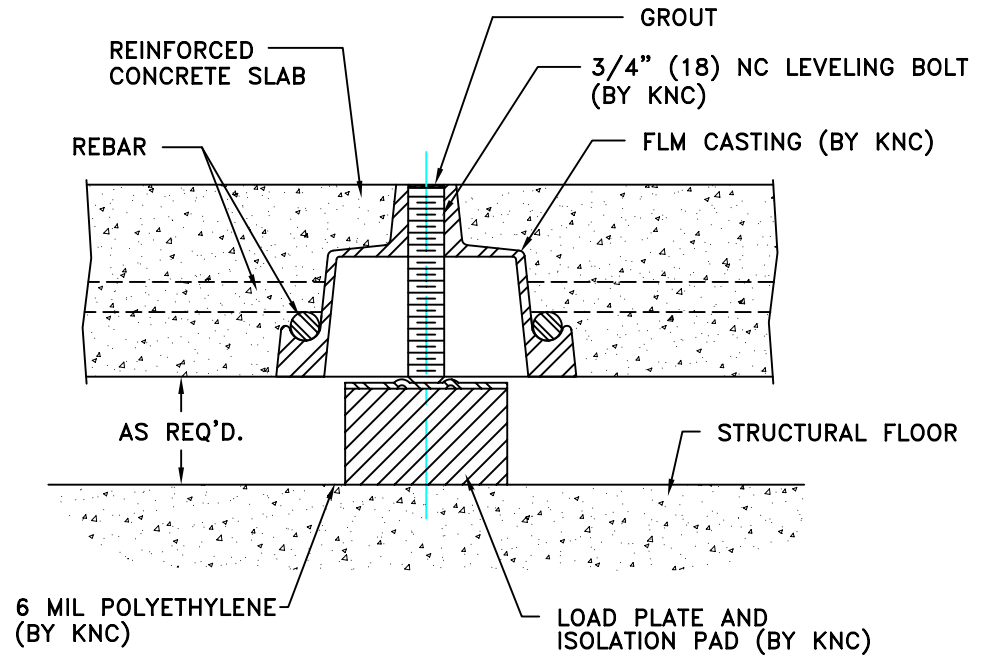


SLAB POSITION DURING CONCRETE CURE PERIOD
N.T.S



SLAB POSITION AFTER RAISING FLOOR (OPERATING HEIGHT)
N.T.S

DIMENSION FORMAT: IN (mm)



TITLE
MODEL FLM
IN CONCRETE SLAB

LAST DATE
REVISED
8/25/08

DRAWN BY
MDV

DRAWING NO.
AA001815

AA