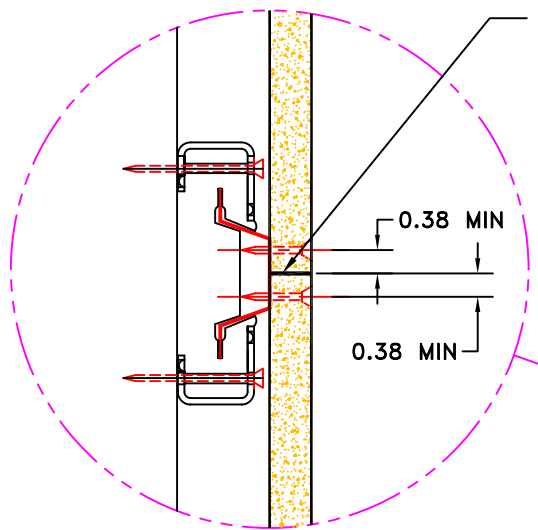
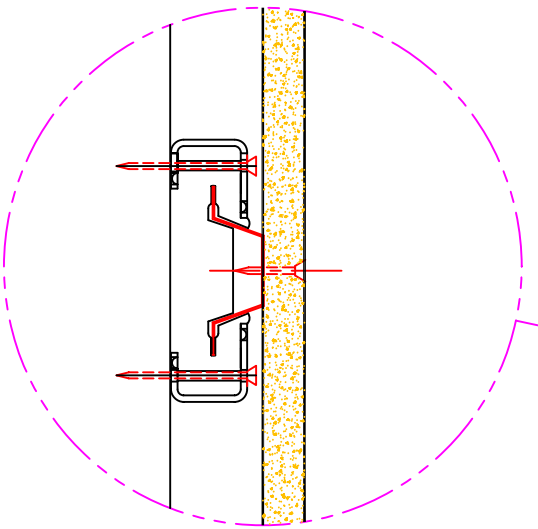


WALL/FLOOR SECTION

NOTE: FOR ACOUSTICAL ISOLATION
 BASE BOARD OR ANY OTHER
 WALL ATTACHMENTS MUST NOT
 TOUCH THE FLOOR.



ENLARGED VIEW "A"



ENLARGED VIEW "B"

EDGE OF GYPSUM BOARDS REF

STUD
ISOMAX CLIP

EDGE OF GYPSUM BOARDS REF

ISOMAX CLIP

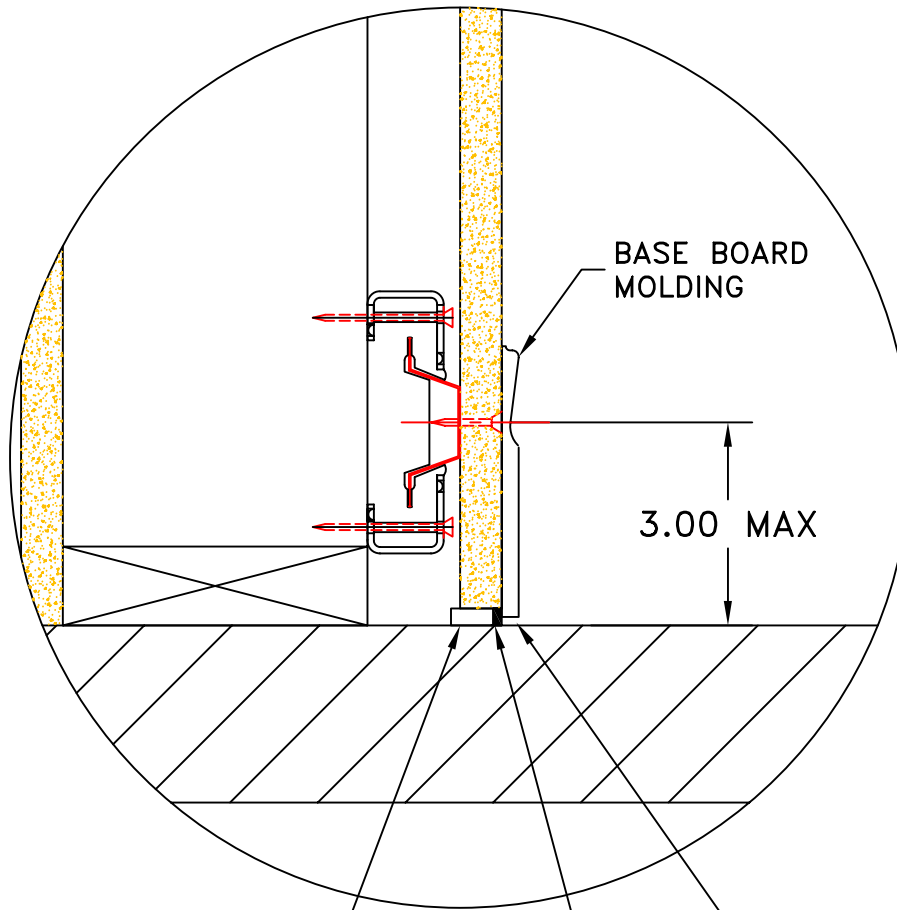


TITLE
KINETICS NOISE CONTROL
ISOMAX CLIP INSTALLATION 2

LAST DATE
REVISED
03/9/05

REVISED BY
JEF

DRAWING NO.
ISOMAX CLIP 2 SHT 2



BASE BOARD
MOLDING

3.00 MAX

NOMINAL 1/8" GAP BETWEEN
BASE BOARD & FLOOR

KINETICS MODEL RWS,
THICK ADHESIVE BACKED
RESILIENT ISOLATION STRIP

CAULK WITH A NON-HARDENING
ACOUSTICAL SEALANT WITH REQUIRED
FIRE RATING

ENLARGED VIEW "C"