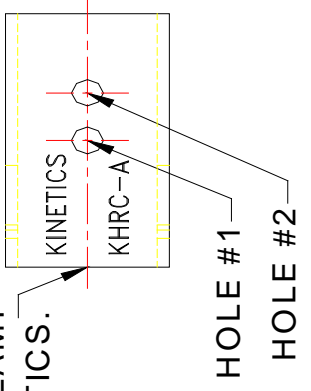
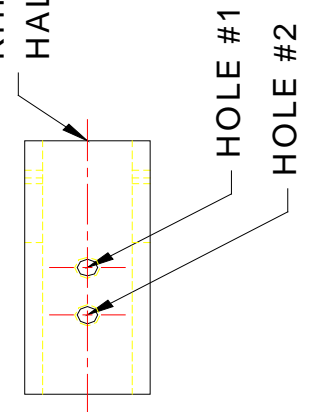


KHRC-A INNER CLAMP HALF BY KINETICS.

KHRC-A OUTER CLAMP HALF BY KINETICS.



# KHRC-A ADJUSTABLE STIFFENER KIT

DRAWING # S-90.500-1A

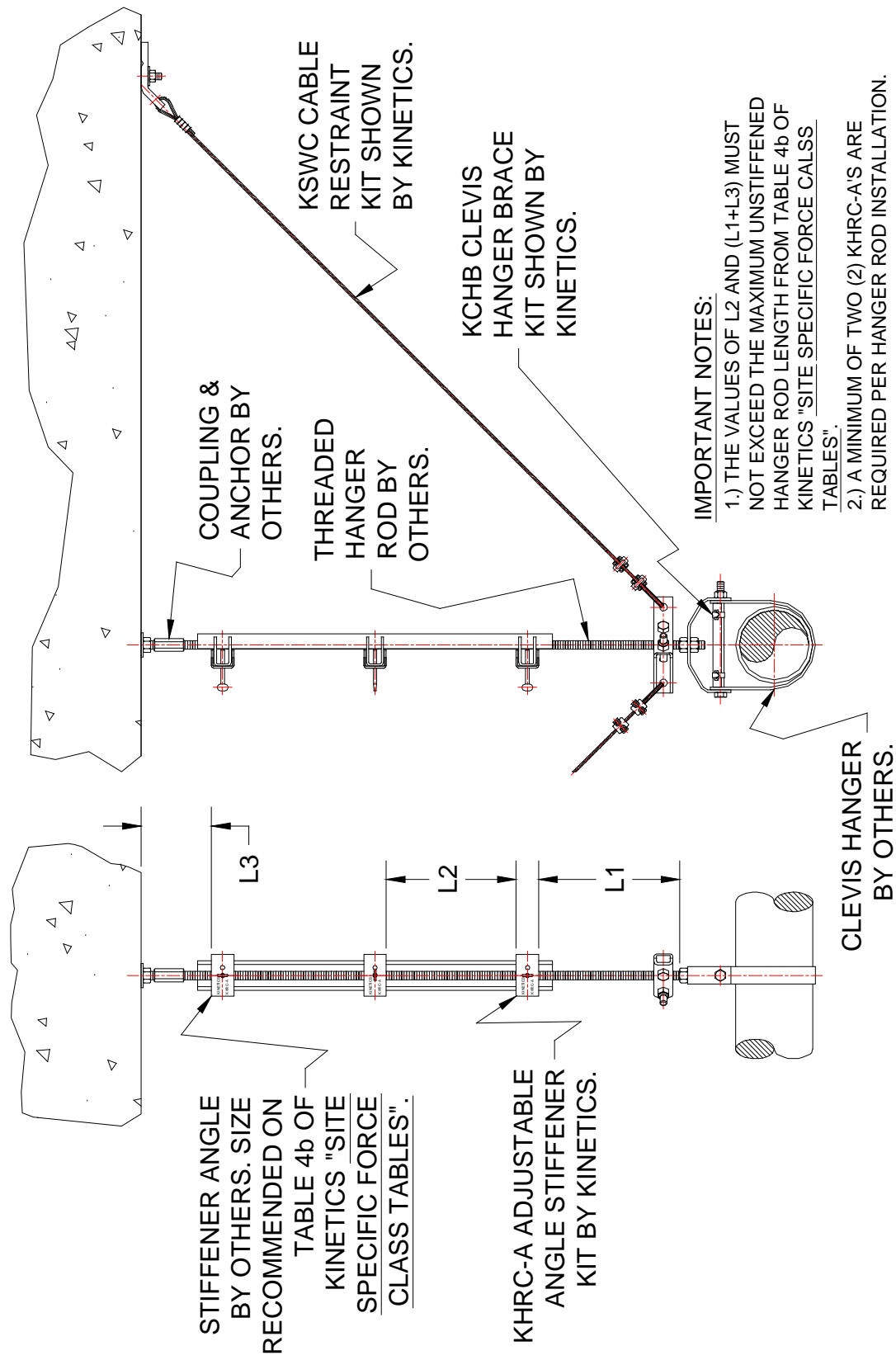
RELEASE DATE: 12/19/03



Toll Free (USA only): 800-959-1229  
 International: 614-889-0480  
 Fax: 614-889-0540  
 World Wide Web: www.kineticsnoise.com  
 Email: sales@kineticsnoise.com

DOCUMENT:  
**P8.2.1-1**  
 VISCMA MEMBER

DUBLIN, OHIO, USA • MISSISSAUGA, ONTARIO, CANADA



**KHRC-A ADJUSTABLE STIFFENER KIT**

DRAWING # S-90.500-1B

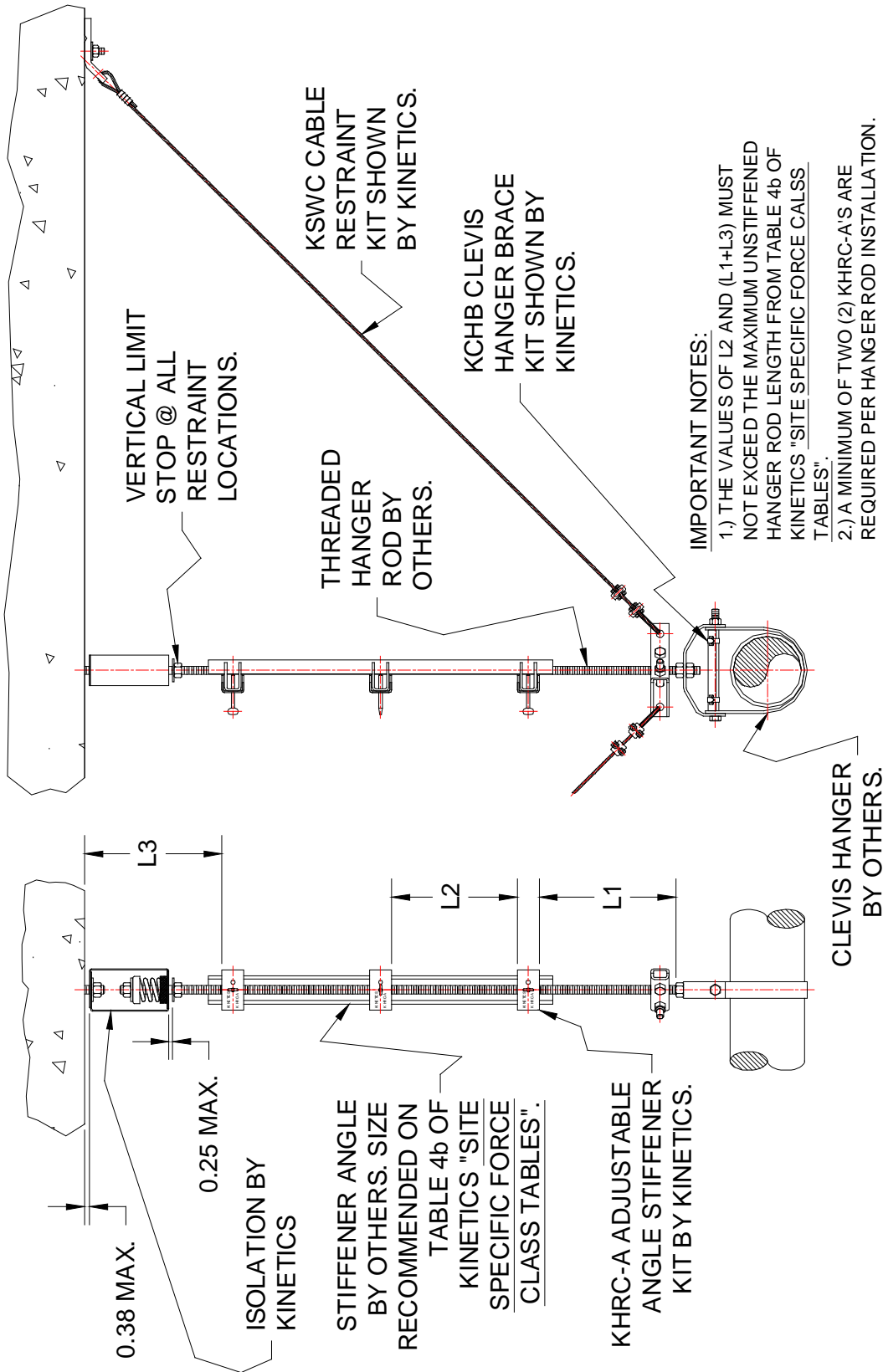
RELEASE DATE: 12/19/03



DUBLIN, OHIO, USA • MISSISSAUGA, ONTARIO, CANADA

Toll Free (USA only): 800-959-1229  
 International: 614-889-0480  
 Fax: 614-889-0540  
 World Wide Web: www.kineticsnoise.com  
 Email: sales@kineticsnoise.com

DOCUMENT:  
**P8.2.1-2**  
 VISCMA MEMBER



# KHRC-A ADJUSTABLE STIFFENER KIT

DRAWING # S-90.500-1C

RELEASE DATE: 12/19/03

**KINETICS**  
Noise Control

DUBLIN, OHIO, USA • MISSISSAUGA, ONTARIO, CANADA

Toll Free (USA only): 800-959-1229  
 International: 614-889-0480  
 Fax: 614-889-0540  
 World Wide Web: [www.kineticsnoise.com](http://www.kineticsnoise.com)  
 Email: [sales@kineticsnoise.com](mailto:sales@kineticsnoise.com)

DOCUMENT:  
**P8.2.1-3**

VISCMA  
MEMBER