

**FLS 1" DEFLECTION ISOLATOR**  
IP UNITS (INCHES AND POUNDS)

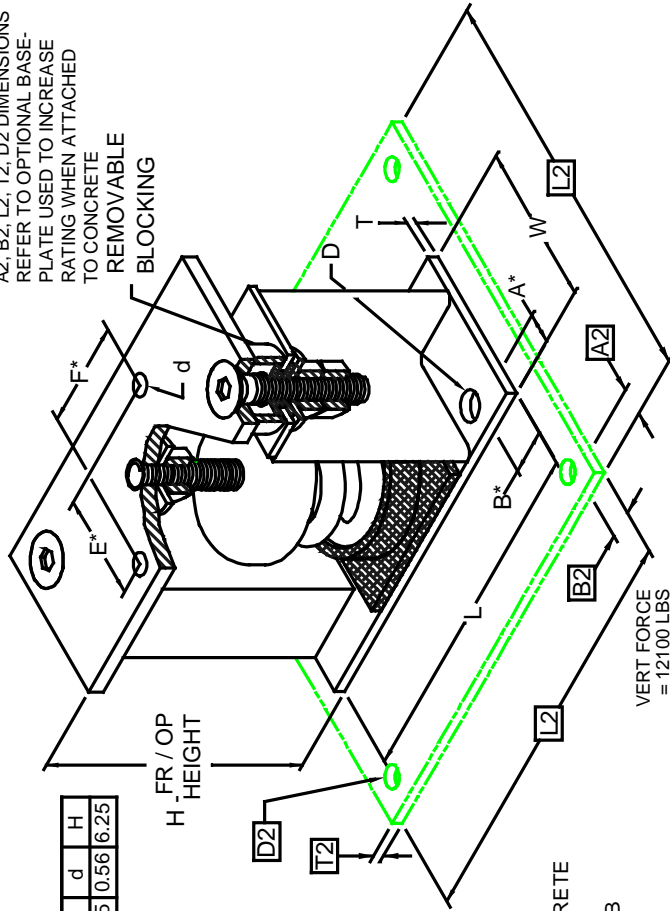
TYPE	L	W	T	A	B	D	E	F	d	H
1-250/3500	8.75	4.00	0.25	0.75	1.13	0.69	2.75	2.75	0.56	6.25

STANDARD RATINGS	TYPE	SIZE	COLOR		SPRING COIL		RATED	
			OUTER	INNER	FREE HT.	O.D.	LOAD	DEFL.
FLS	1-250	BLUE	4.20	3.00	4.20	3.00	250	1.79
FLS	1-450	GREEN	4.20	3.00	4.20	3.00	450	1.54
FLS	1-625	BLACK	4.20	3.00	4.20	3.00	625	1.44
FLS	1-800	GRAY	4.20	3.00	4.20	3.00	800	1.31
FLS	1-1000	RED	4.20	3.00	4.20	3.00	1000	1.15
FLS	1-1250	BROWN	4.20	3.00	4.20	3.00	1250	1.09
FLS	1-1700	ORANGE	4.20	3.00	4.20	3.00	1700	0.95
FLS	1-2200	ORANGE	4.20	3.00	4.20	3.00	2200	1.00
FLS	1-2465	BLUE	4.20	3.00	4.20	3.00	2465	1.00
FLS	1-2865	BLUE	4.20	3.00	4.20	3.00	2865	1.00
FLS	1-3500	BLUE	4.20	3.00	4.20	3.00	3500	1.00

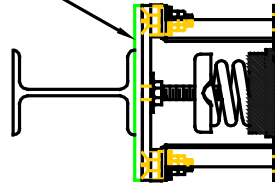
1-250/3500 REQUIRES 0.62 DIA. x 4.00 MIN. EMBED ANCHORS IN CONCRETE (ALLOWABLE LOADS BASED ON 3000 PSI MIN CONCRETE)

1-250/3500 ANCHOR BOLT TORQUE - 75 FT-LB, PULL TEST - 2670 LB

A2, B2, L2, T2 DIMENSIONS REFER TO OPTIONAL BASE-PLATE USED TO INCREASE RATING WHEN ATTACHED TO CONCRETE REMOVABLE BLOCKING



IF EQUIP SUPPORT STEEL IS 90° TO THE LONG ISOLATOR AXIS, AN ADD'L PLATE EQUAL IN THICKNESS TO THE TOP PLATE IS REQUIRED



**SPECIFICATIONS:**

- VERTICALLY AND LATERALLY RESTRAINED SPRING ISOLATOR WITH CONSTANT FREE AND OPERATING HEIGHT AND REPLACEABLE NEOPRENE SNUBBING ELEMENTS.
- MINIMUM COIL OVERLOAD OF 50 %.
- MINIMUM Kx/Ky RATIO OF 1.0.
- ALL ELEMENTS SAFE AT SOLID LOADING.
- POWDER COATED COILS AND HOT DIPPED GALVANIZED BRACKET
- HOUSINGS MAY BE USED FOR BLOCKING DURING EQUIPMENT ERECTION



WELDED TO STEEL - - -  
THROUGH BOLTED - - -  
ANCHORED TO CONCRETE - - -

HORIZONTAL FORCE LBS X 1000

Computed horiz and vert seismic load combinations must fall within the restraint capacity envelope. Contact KNC for bolted to steel data.

**FLS Submittal Drawings**

DRAWING #S-01-22.11 – FLS 1-250/3500

RELEASE DATE: 02/01/05



Toll Free (USA only): 800-959-1229  
International: 614-889-0480  
Fax: 614-889-0540  
World Wide Web: www.kineticsnoise.com  
Email: sales@kineticsnoise.com

DOCUMENT:  
**P3.2.2-1**  
VISCMA MEMBER

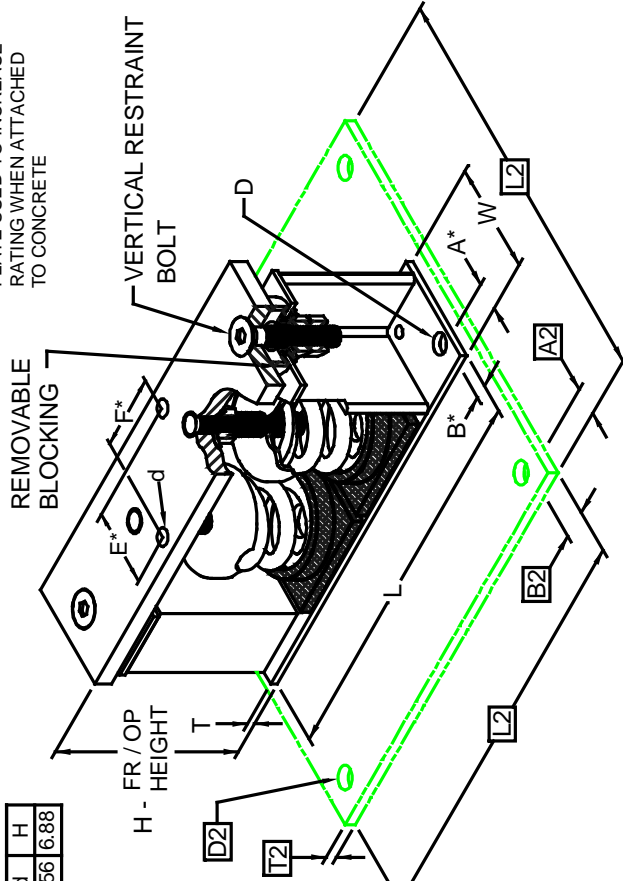
**FLS 1" DEFLECTION ISOLATOR**  
IP UNITS (INCHES AND POUNDS)

TYPE	L	W	T	A	B	D	E	F	d	H
1-2500/7000	14.00	4.00	0.38	1.00	0.50	0.69	2.75	2.75	0.56	6.88

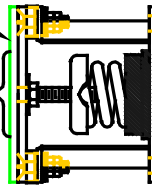
STANDARD RATINGS	TYPE	SIZE	COLOR		FREE		RATED	
			OUTER	INNER	HT.	O.D.	LOAD	DEFL.
FLS	1-2500	BROWN			4.20	3.00	2500	1.09
FLS	1-3400	ORANGE			4.20	3.00	3400	0.95
FLS	1-4400	ORANGE	GRAY		4.20	3.00	4400	0.50
FLS	1-4930	BLUE			4.20	3.00	4930	0.50
FLS	1-5730	BLUE	GRAY		4.20	3.00	5730	0.50
FLS	1-7000	BLUE	BROWN		4.20	3.00	7000	0.50

1-2500/7000 REQUIRES 0.62 DIA x 4.00 MIN EMBED ANCHORS IN CONCRETE (ALLOWABLE LOADS BASED ON 3000 PSI MIN CONCRETE)  
1-2500/7000 ANCHOR BOLT TORQUE - 75 FT-LB; PULL TEST - 2670 LB

A2, B2, L2, T2, D2 DIMENSIONS REFER TO OPTIONAL BASE-PLATE USED TO INCREASE RATING WHEN ATTACHED TO CONCRETE



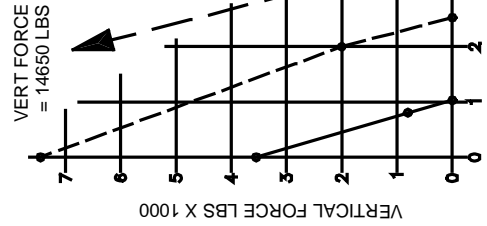
IF EQUIP SUPPORT STEEL IS 90° TO THE LONG ISOLATOR AXIS, AN ADD'L PLATE EQUAL IN THICKNESS TO THE TOP PLATE IS REQUIRED



**SPECIFICATIONS:**

- VERTICALLY AND Laterally RESTRAINED SPRING ISOLATOR WITH CONSTANT FREE AND OPERATING HEIGHT AND REPLACEABLE NEOPRENE SNUBBING ELEMENTS.
- MINIMUM COIL OVERLOAD OF 50%.
- MINIMUM Kx/Ky RATIO OF 1.0.
- ALL ELEMENTS SAFE AT SOLID LOADING.
- POWDER COATED COILS AND HOT DIPPED GALVANIZED BRACKET
- HOUSINGS MAY BE USED FOR BLOCKING DURING EQUIPMENT ERECTION

\*ALL MOUNTING BOLT PATTERNS SYMMETRICAL ABOUT ISOLATOR CENTER-LINE



HORIZONTAL FORCE LBS X 1000

Computed horiz and vert seismic load combinations must fall within the restraint capacity envelope. Contact KNC for bolted to steel data.

**FLS Submittal Drawings**

DRAWING #S-01-22.12 – FLS 1-2500/7000

RELEASE DATE: 02/01/05



Toll Free (USA only): 800-959-1229  
International: 614-889-0480  
Fax: 614-889-0540  
World Wide Web: www.kineticsnoise.com  
Email: sales@kineticsnoise.com

DOCUMENT:  
**P3.2.2-2**  
VISCMA MEMBER

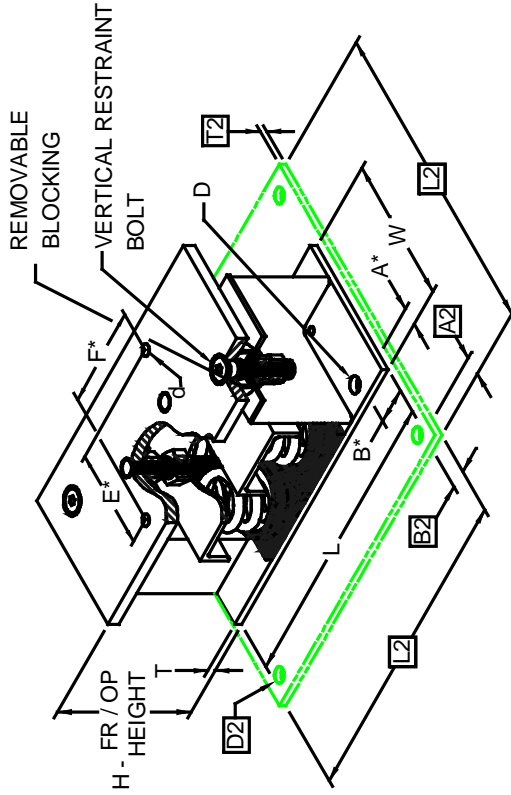
**FLS 1" DEFLECTION ISOLATOR**  
IP UNITS (INCHES AND POUNDS)

TYPE	L	W	T	A	B	D	E	F	d	H
1-5000/14000	16.50	8.00	0.38	1.00	2.00	0.81	5.50	5.50	0.69	7.50

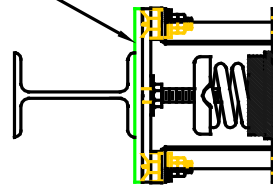
STANDARD RATINGS	SPRING COIL				RATED	
	TYPE	SIZE	COLOR	FREE HT.	O.D.	LOAD
FLS	1-5000	BROWN	4.20	3.00	5000	1.09
FLS	1-6800	ORANGE	4.20	3.00	6800	0.95
FLS	1-8800	ORANGE GRAY	4.20	3.00	8800	1.00
FLS	1-9860	BLUE	4.20	3.00	9860	1.00
FLS	1-11460	BLUE GRAY	4.20	3.00	11460	1.00
FLS	1-14000	BLUE BROWN	4.20	3.00	14000	1.00

1-5000/14000 REQUIRES 0.75 DIA. x 4.75 MIN. EMBED ANCHORS IN CONCRETE (ALLOWABLE LOADS BASED ON 3000 PSI MIN CONCRETE)  
1-5000/14000 ANCHOR BOLT TORQUE - 150 FT-LB, PULL TEST - 3625 LB

A2, B2, L2, T2, D2 DIMENSIONS REFER TO OPTIONAL BASE-PLATE USED TO INCREASE RATING WHEN ATTACHED TO CONCRETE

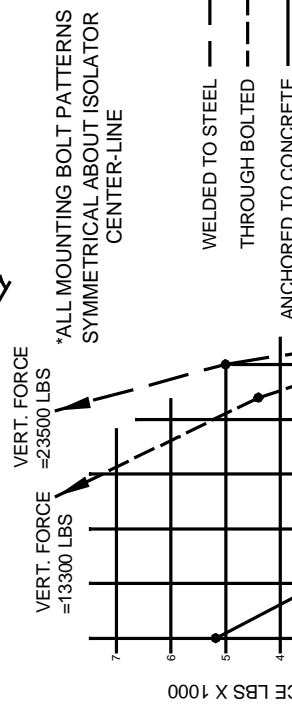


IF EQUIP SUPPORT STEEL IS 90° TO THE LONG ISOLATOR AXIS, AN ADD'L PLATE EQUAL IN THICKNESS TO THE TOP PLATE IS REQUIRED



**SPECIFICATIONS:**

- VERTICALLY AND LATERALLY RESTRAINED SPRING ISOLATOR WITH CONSTANT FREE AND OPERATING HEIGHT AND REPLACEABLE NEOPRENE SNUBBING ELEMENTS.
- MINIMUM COIL OVERLOAD OF 50%.
- MINIMUM Kx/Ky RATIO OF 1.0.
- ALL ELEMENTS SAFE AT SOLID LOADING.
- POWDER COATED COILS AND HOT DIPPED GALVANIZED BRACKET
- HOUSINGS MAY BE USED FOR BLOCKING DURING EQUIPMENT ERECTION



Computed horiz and vert seismic load combinations must fall within the restraint capacity envelope. Contact KNC for bolted to steel data.

**FLS Submittal Drawings**

DRAWING #S-01-22.13 – FLS 1-5000/14000

RELEASE DATE: 02/01/05

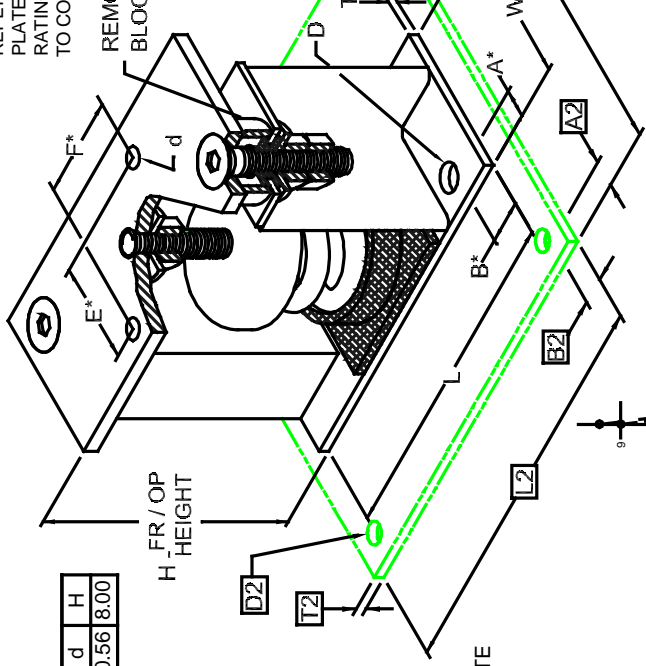


Toll Free (USA only): 800-959-1229  
International: 614-889-0480  
Fax: 614-889-0540  
World Wide Web: www.kineticsnoise.com  
Email: sales@kineticsnoise.com

DOCUMENT:  
**P3.2.2-3**  
 VISCMA MEMBER

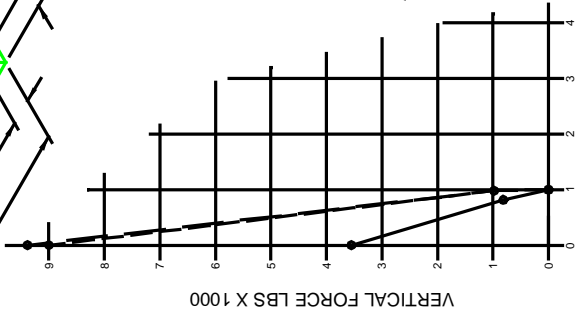
A2, B2, L2, T2 DIMENSIONS REFER TO OPTIONAL BASE-PLATE USED TO INCREASE RATING WHEN ATTACHED TO CONCRETE

REMOVABLE BLOCKING



\*ALL MOUNTING BOLT PATTERNS SYMMETRICAL ABOUT ISOLATOR CENTER-LINE

WELDED TO STEEL ---  
THROUGH BOLTED - - -  
ANCHORED TO CONCRETE \_\_\_\_\_



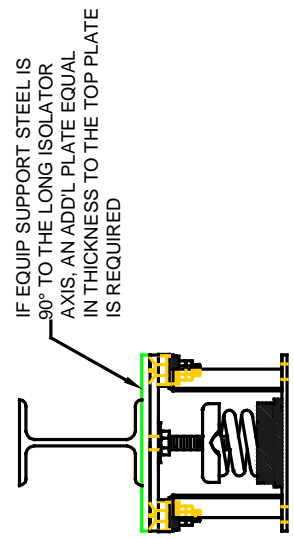
HORIZONTAL FORCE LBS X 1000  
Computed horiz and vert seismic load combinations must fall within the restraint capacity envelope. Contact KNC for bolted to steel data.

FLS 2" DEFLECTION ISOLATOR  
IP UNITS (INCHES AND POUNDS)

TYPE	L	W	T	A	B	D	E	F	d	H
2-100/1975	9.00	5.00	0.25	0.75	0.75	0.69	2.75	2.75	0.56	8.00

STANDARD RATINGS	SPRING COIL				O.D.	LOAD	DEFL.
	TYPE	SIZE	COLOR	FREE HT.			
FLS 2-100	GRAY			6.09	3.50	100	2.00
FLS 2-250	BLUE			6.09	3.50	250	2.00
FLS 2-500	GREEN			6.09	3.50	500	2.00
FLS 2-750	BLACK			6.09	3.50	750	2.00
FLS 2-995	ORANGE			6.09	3.50	995	2.00
FLS 2-1400	ORANGE GREEN			6.09	3.50	1400	2.01
FLS 2-1600	RED			6.09	3.50	1600	2.00
FLS 2-1975	RED GREEN			6.09	3.50	1975	1.98

2-100/1975 REQUIRES 0.62 DIA x 4.00 MIN EMBED ANCHORS IN CONCRETE (ALLOWABLE LOADS BASED ON 3000 PSI MIN CONCRETE)  
2-100/1975 ANCHOR BOLT TORQUE - 75 FT-LB, PULL TEST - 2670 LB



**SPECIFICATIONS:**

- VERTICALLY AND Laterally RESTRAINED SPRING ISOLATOR WITH CONSTANT FREE AND OPERATING HEIGHT AND REPLACEABLE NEOPRENE SNUBBING ELEMENTS.
- MINIMUM COIL OVERLOAD OF 50%.
- MINIMUM Kx/Ky RATIO OF 1.0.
- ALL ELEMENTS SAFE AT SOLID LOADING.
- POWDER COATED COILS AND HOT DIPPED GALVANIZED BRACKET
- HOUSINGS MAY BE USED FOR BLOCKING DURING EQUIPMENT ERECTION

**FLS Submittal Drawings**

DRAWING #S-01-22.21 – FLS 2-100/1975

RELEASE DATE: 02/01/05

DUBLIN, OHIO, USA • MISSISSAUGA, ONTARIO, CANADA

Toll Free (USA only): 800-959-1229  
International: 614-889-0480  
Fax: 614-889-0540  
World Wide Web: www.kineticsnoise.com  
Email: sales@kineticsnoise.com

DOCUMENT:  
**P3.2.2-4**  
VISCMA MEMBER

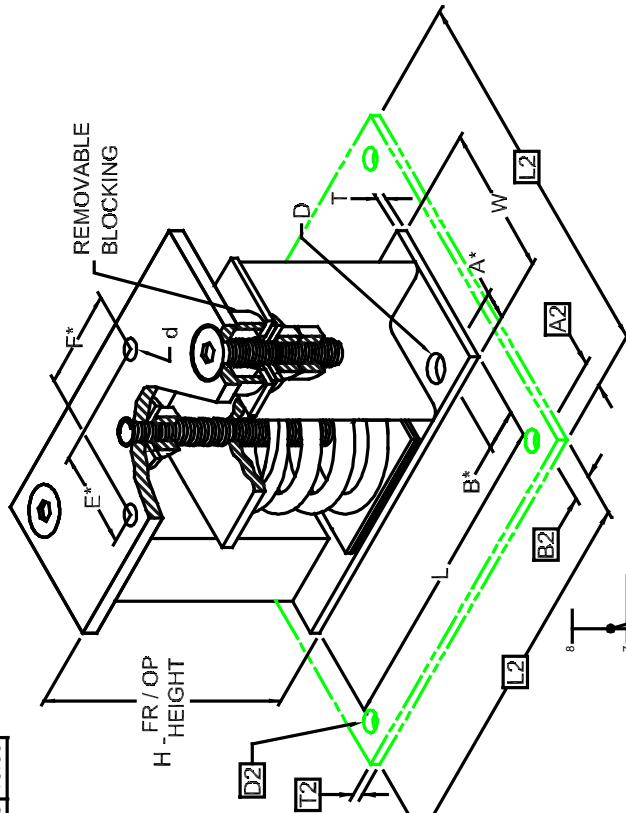
**FLS 2" DEFLECTION ISOLATOR**  
IP UNITS (INCHES AND POUNDS)

TYPE	L	W	T	A	B	D	E	F	d	H
2-2000/4500	10.75	5.00	0.25	0.75	1.38	0.69	2.75	2.75	0.56	10.00

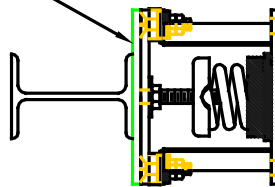
STANDARD RATINGS		SPRING COIL				FREE		RATED	
TYPE	SIZE	OUTER	INNER1	INNER2	HT.	O.D.	LOAD	DEFL.	
FLS	2-2000	ORANGE			7.00	5.00	2000	2.00	
FLS	2-2500	BLUE			7.00	5.00	2500	2.00	
FLS	2-2750	BLUE			7.00	5.00	2750	2.00	
FLS	2-3025	BLUE	GREEN		7.00	5.00	3025	2.02	
FLS	2-3250	BLUE	BLACK		7.00	5.00	3250	2.00	
FLS	2-3500	BLUE	ORANGE		7.00	5.00	3500	2.00	
FLS	2-3900	BLUE	ORANGE	GREEN	7.00	5.00	3900	2.00	
FLS	2-4100	BLUE	RED		7.00	5.00	4100	2.00	
FLS	2-4500	BLUE	RED	GREEN	7.00	5.00	4500	2.00	

2-2000/4500 REQUIRES 0.62 DIA x 4.00 MIN EMBED ANCHORS IN CONCRETE  
(ALLOWABLE LOADS BASED ON 3000 PSI MIN CONCRETE)  
2-2000/4500 ANCHOR BOLT TORQUE - 75 FT-LB, PULL TEST - 2670 LB

A2, B2, L2, T2, D2 DIMENSIONS REFER TO OPTIONAL BASE-PLATE USED TO INCREASE RATING WHEN ATTACHED TO CONCRETE

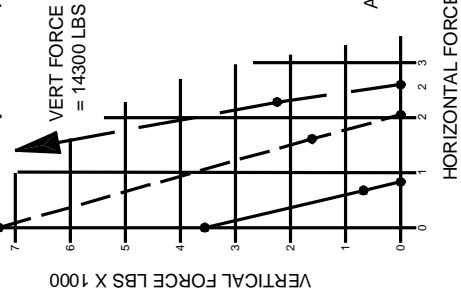


IF EQUIP SUPPORT STEEL IS 90° TO THE LONG ISOLATOR AXIS, AN ADD'L PLATE EQUAL IN THICKNESS TO THE TOP PLATE IS REQUIRED



**SPECIFICATIONS:**

- VERTICALLY AND LATERALLY RESTRAINED SPRING ISOLATOR WITH CONSTANT FREE AND OPERATING HEIGHT AND REPLACEABLE NEOPRENE SNUBBING ELEMENTS.
- MINIMUM COIL OVERLOAD OF 50%.
- MINIMUM K<sub>v</sub>/k<sub>y</sub> RATIO OF 1.0.
- ALL ELEMENTS SAFE AT SOLID LOADING.
- POWDER COATED COILS AND HOT DIPPED GALVANIZED BRACKET
- HOUSINGS MAY BE USED FOR BLOCKING DURING EQUIPMENT ERECTION



\*ALL MOUNTING BOLT PATTERNS SYMMETRICAL ABOUT ISOLATOR CENTER-LINE

HORIZONTAL FORCE LBS X 1000

Computed horiz and vert seismic load combinations must fall within the restraint capacity envelope. Contact KNC for bolted to steel data.

**FLS Submittal Drawings**

DRAWING #S-01-22.22 – FLS 2-2000/4500

RELEASE DATE: 02/01/05



DUBLIN, OHIO, USA • MISSISSAUGA, ONTARIO, CANADA

Toll Free (USA only): 800-959-1229  
International: 614-889-0480  
Fax: 614-889-0540  
World Wide Web: www.kineticsnoise.com  
Email: sales@kineticsnoise.com

DOCUMENT:  
**P3.2.2-5**  
 VISCMA MEMBER

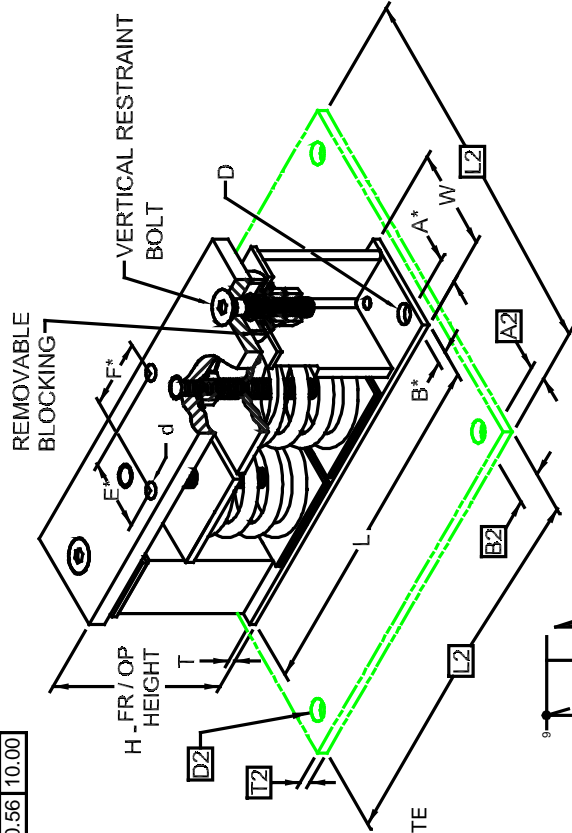
### FLS 2" DEFLECTION ISOLATOR IP UNITS (INCHES AND POUNDS)

TYPE	L	W	T	A	B	D	E	F	d	H
2-4000/9000	17.50	6.00	0.38	1.25	1.00	0.69	2.75	2.75	0.56	10.00

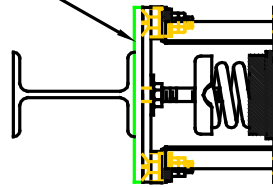
STANDARD RATINGS	SPRING COIL				FREE		RATED		
	TYPE	SIZE	OUTER	INNER1	INNER2	HT.	O.D.	LOAD	DEFL.
FLS	2-4000	ORANGE				7.00	5.00	4000	2.00
FLS	2-5000	BLUE				7.00	5.00	5000	2.00
FLS	2-5500	BLUE		BLUE		7.00	5.00	5500	2.00
FLS	2-6050	BLUE		GREEN		7.00	5.00	6050	2.02
FLS	2-6500	BLUE		BLACK		7.00	5.00	6500	2.00
FLS	2-7000	BLUE		ORANGE		7.00	5.00	7000	2.00
FLS	2-7800	BLUE		ORANGE	GREEN	7.00	5.00	7800	2.00
FLS	2-8200	BLUE		RED		7.00	5.00	8200	2.00
FLS	2-9000	BLUE		RED	GREEN	7.00	5.00	9000	2.00

2-4000/9000 REQUIRES 0.62 DIA. x 4.00 MIN. EMBED ANCHORS IN CONCRETE (ALLOWABLE LOADS BASED ON 3000 PSI MIN CONCRETE)  
2-4000/9000 ANCHOR BOLT TORQUE - 75 FT-LB, PULL TEST - 2670 LB

A2, B2, L2, T2, D2 DIMENSIONS REFER TO OPTIONAL BASE-PLATE USED TO INCREASE RATING WHEN ATTACHED TO CONCRETE

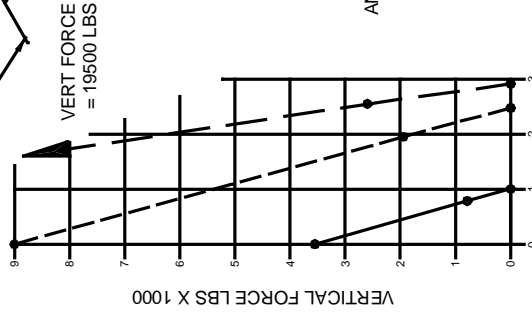


IF EQUIP SUPPORT STEEL IS 90° TO THE LONG ISOLATOR AXIS, AN ADD'L PLATE EQUAL IN THICKNESS TO THE TOP PLATE IS REQUIRED



#### SPECIFICATIONS:

- VERTICALLY AND Laterally RESTRAINED SPRING ISOLATOR WITH CONSTANT FREE AND OPERATING HEIGHT AND REPLACEABLE NEOPRENE SNUBBING ELEMENTS.
- MINIMUM COIL OVERLOAD OF 50%.
- MINIMUM K<sub>x</sub>/K<sub>y</sub> RATIO OF 1.0.
- ALL ELEMENTS SAFE AT SOLID LOADING.
- POWDER COATED COILS AND HOT DIPPED GALVANIZED BRACKET
- HOUSINGS MAY BE USED FOR BLOCKING DURING EQUIPMENT ERECTION



\*ALL MOUNTING BOLT PATTERNS SYMMETRICAL ABOUT ISOLATOR CENTER-LINE

WELDED TO STEEL ---  
THROUGH BOLTED - - -  
ANCHORED TO CONCRETE ———

HORIZONTAL FORCE LBS X 1000

Computed horiz and vert seismic load combinations must fall within the restraint capacity envelope. Contact KNC for bolted to steel data.

## FLS Submittal Drawings

DRAWING #S-01-22.23 – FLS 2-4000/9000

RELEASE DATE: 02/01/05



DUBLIN, OHIO, USA • MISSISSAUGA, ONTARIO, CANADA

Toll Free (USA only): 800-959-1229  
International: 614-889-0480  
Fax: 614-889-0540  
World Wide Web: www.kineticsnoise.com  
Email: sales@kineticsnoise.com

DOCUMENT:

P3.2.2-6



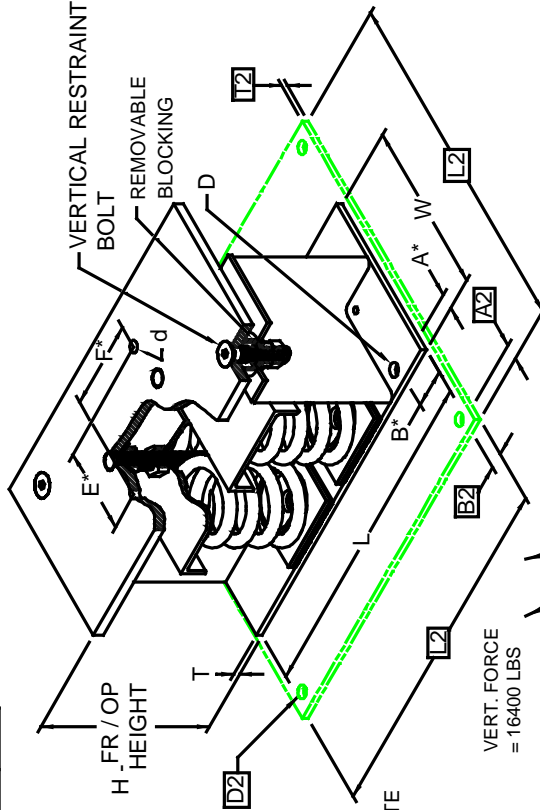
FLS 2" DEFLECTION ISOLATOR  
IP UNITS (INCHES AND POUNDS)

TYPE	L	W	T	A	B	D	E	F	d	H
2-8000/18000	21.50	11.00	0.38	1.50	1.50	1.06	5.50	5.50	0.69	11.00

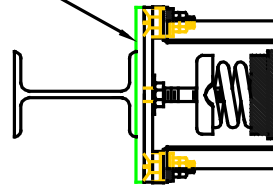
STANDARD RATINGS	TYPE	SIZE	COLOR		FREE HT.	O.D.	RATED	
			OUTER	INNER			LOAD	DEFL.
FLS	2-8000	ORANGE			7.00	5.00	8000	2.00
FLS	2-10000	BLUE			7.00	5.00	10000	2.00
FLS	2-11000	BLUE	BLUE		7.00	5.00	11000	2.00
FLS	2-12100	BLUE	GREEN		7.00	5.00	12100	2.02
FLS	2-13000	BLUE	BLACK		7.00	5.00	13000	2.00
FLS	2-14000	BLUE	ORANGE		7.00	5.00	14000	2.00
FLS	2-15600	BLUE	ORANGE	GREEN	7.00	5.00	15600	2.00
FLS	2-16400	BLUE	RED		7.00	5.00	16400	2.00
FLS	2-18000	BLUE	RED	GREEN	7.00	5.00	18000	2.00

2-8000/18000 REQUIRES 0.75 DIA. x 4.75 MIN. EMBED ANCHORS IN CONCRETE  
(ALLOWABLE LOADS BASED ON 3000 PSI MIN CONCRETE)  
2-8000/18000 ANCHOR BOLT TORQUE - 150 FT-LB, PULL TEST - 3625 LB

A2, B2, L2, T2, D2 DIMENSIONS REFER TO OPTIONAL BASE-PLATE USED TO INCREASE RATING WHEN ATTACHED TO CONCRETE



IF EQUIP SUPPORT STEEL IS 90° TO THE LONG ISOLATOR AXIS, AN ADD'L PLATE EQUAL IN THICKNESS TO THE TOP PLATE IS REQUIRED



**SPECIFICATIONS:**

- VERTICALLY AND Laterally RESTRAINED SPRING ISOLATOR WITH CONSTANT FREE AND OPERATING HEIGHT AND REPLACEMENT NEOPRENE SNUBBING ELEMENTS.
- MINIMUM COIL OVERLOAD OF 50 %.
- MINIMUM K<sub>v</sub>/K<sub>y</sub> RATIO OF 1.0.
- ALL ELEMENTS SAFE AT SOLID LOADING.
- POWDER COATED COILS AND HOT DIPPED GALVANIZED BRACKET
- HOUSINGS MAY BE USED FOR BLOCKING DURING EQUIPMENT ERECTION



WELDED TO STEEL ---  
THROUGH BOLTED ---  
ANCHORED TO CONCRETE ---

\*ALL MOUNTING BOLT PATTERNS SYMMETRICAL ABOUT ISOLATOR CENTER-LINE

Computed horiz and vert seismic load combinations must fall within the restraint capacity envelope. Contact KNC for bolted to steel data.

FLS Submittal Drawings

DRAWING #S-01-22.24 – FLS 2-8000/18000

RELEASE DATE: 02/01/05



Toll Free (USA only): 800-959-1229  
International: 614-889-0480  
Fax: 614-889-0540  
World Wide Web: www.kineticsnoise.com  
Email: sales@kineticsnoise.com

DOCUMENT:  
**P3.2.2-7**  
VISCMA MEMBER

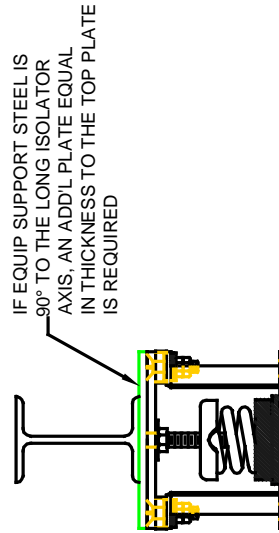
**FLS 4" DEFLECTION ISOLATOR**  
IP UNITS (INCHES AND POUNDS)

TYPE	L	W	T	A	B	D	E	F	d	H
4-100/1600	10.75	6.00	0.25	0.75	0.75	0.69	2.75	2.75	0.56	13.00

STANDARD RATINGS	TYPE	SIZE	SPRING COIL			RATED	
			COLOR	O.D.	HT.	LOAD	DEFL.
FLS	4-100	GRAY	5.63	10.00	100	4.00	
FLS	4-250	BLUE	5.63	10.00	250	4.00	
FLS	4-500	GREEN	5.63	10.00	500	4.00	
FLS	4-750	BLACK	5.63	10.00	750	4.00	
FLS	4-1000	RED	5.63	10.00	1000	4.00	
FLS	4-1250	BROWN	5.63	10.00	1250	4.00	
FLS	4-1600	ORANGE	5.63	10.00	1600	4.00	

4-100/1600 REQUIRES 0.62 DIA. x 4.00 MIN. EMBED ANCHORS IN CONCRETE (ALLOWABLE LOADS BASED ON 3000 PSI MIN CONCRETE)

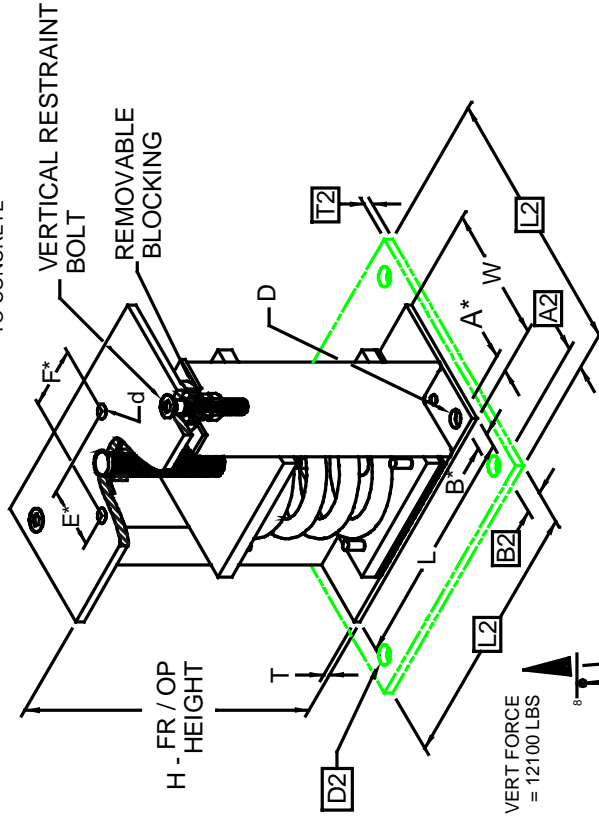
4-100/1600 ANCHOR BOLT TORQUE - 75 FT-LB, PULL TEST - 2670 LB



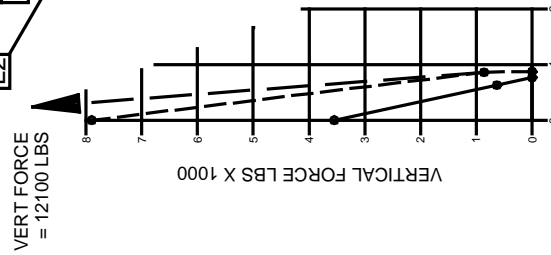
**SPECIFICATIONS:**

- VERTICALLY AND LATERALLY RESTRAINED SPRING ISOLATOR WITH CONSTANT FREE AND OPERATING HEIGHT AND REPLACEABLE NEOPRENE SNUBBING ELEMENTS.
- MINIMUM COIL OVERLOAD OF 50%.
- MINIMUM Kx/Ky RATIO OF 1.0.
- ALL ELEMENTS SAFE AT SOLID LOADING.
- POWDER COATED COILS AND HOT DIPPED GALVANIZED BRACKET
- HOUSINGS MAY BE USED FOR BLOCKING DURING EQUIPMENT ERECTION

A2, B2, L2, T2, D2 DIMENSIONS REFER TO OPTIONAL BASE-PLATE USED TO INCREASE RATING WHEN ATTACHED TO CONCRETE



\*ALL MOUNTING BOLT PATTERNS SYMMETRICAL ABOUT ISOLATOR CENTER-LINE



--- WELDED TO STEEL  
- - - THROUGH BOLTED  
\_\_\_\_\_ ANCHORED TO CONCRETE

HORIZONTAL FORCE LBS X 1000

Computed horiz and vert seismic load combinations must fall within the restraint capacity envelope. Contact KNC for bolted to steel data.

**FLS Submittal Drawings**

DRAWING #S-01-22.41 – FLS 4-100/1600

RELEASE DATE: 02/01/05



Toll Free (USA only): 800-959-1229  
International: 614-889-0480  
Fax: 614-889-0540  
World Wide Web: www.kineticsnoise.com  
Email: sales@kineticsnoise.com

DOCUMENT:  
**P3.2.2-8**  
 VISCMA MEMBER

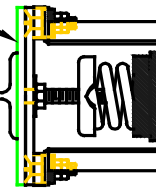
FLS 4" DEFLECTION ISOLATOR  
IP UNITS (INCHES AND POUNDS)

TYPE	L	W	T	A	B	D	E	F	d	H
4-2250/5800	15.50	8.00	0.25	0.75	1.75	0.69	5.50	5.50	0.69	14.88

STANDARD RATINGS	TYPE	SIZE	COLOR		FREE		RATED	
			OUTER	INNER	HT.	O.D.	LOAD	DEFL.
FLS	4-2250	BEIGE	BEIGE	BLUE	11.50	8.00	2250	4.00
FLS	4-2500	BEIGE	BEIGE	BLUE	11.50	8.00	2500	4.00
FLS	4-2750	BEIGE	BEIGE	GREEN	11.50	8.00	2750	4.00
FLS	4-3000	BEIGE	BEIGE	BLACK	11.50	8.00	3000	4.00
FLS	4-3250	BEIGE	BEIGE	RED	11.50	8.00	3250	4.00
FLS	4-3500	BEIGE	BEIGE	BROWN	11.50	8.00	3500	4.00
FLS	4-3850	BEIGE	BEIGE	ORANGE	11.50	8.00	3850	4.00
FLS	4-4200	CHROME	CHROME		11.50	8.00	4200	4.00
FLS	4-4450	CHROME	BLUE		11.50	8.00	4450	4.00
FLS	4-4700	CHROME	GREEN		11.50	8.00	4700	4.00
FLS	4-4950	CHROME	BLACK		11.50	8.00	4950	4.00
FLS	4-5200	CHROME	RED		11.50	8.00	5200	4.00
FLS	4-5450	CHROME	BROWN		11.50	8.00	5450	4.00
FLS	4-5800	CHROME	ORANGE		11.50	8.00	5800	4.00

4-2250/5800 REQUIRES 0.62 DIA. x 4.00 MIN. EMBED ANCHORS IN CONCRETE  
(ALLOWABLE LOADS BASED ON 3000 PSI MIN CONCRETE)  
4-2250/5800 ANCHOR BOLT TORQUE - 75 FT-LB, PULL TEST - 2670 LB

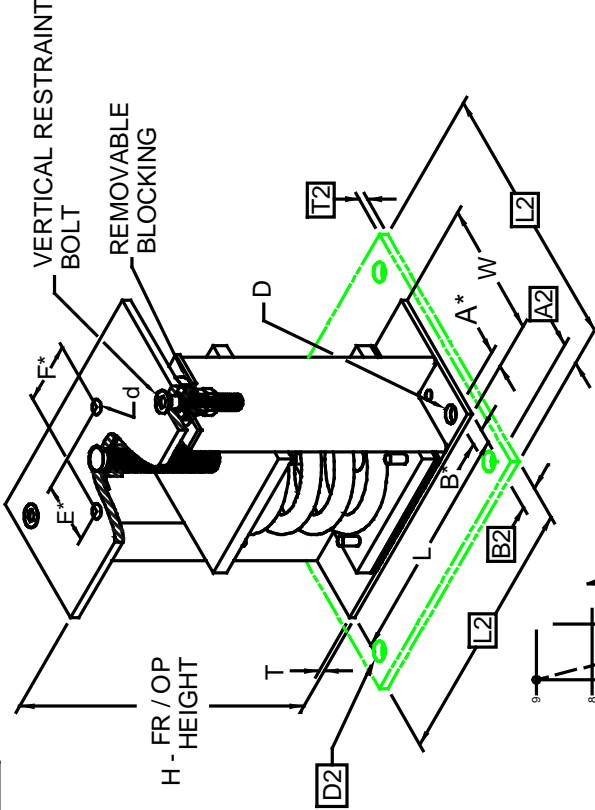
IF EQUIP SUPPORT STEEL IS  
90° TO THE LONG ISOLATOR  
AXIS, AN ADD'L PLATE EQUAL  
IN THICKNESS TO THE TOP PLATE  
IS REQUIRED



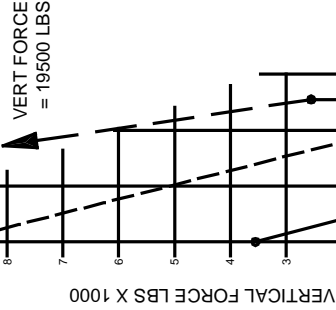
**SPECIFICATIONS:**

- VERTICALLY AND LATERALLY RESTRAINED SPRING ISOLATOR WITH CONSTANT FREE AND OPERATING HEIGHT AND REPLACEABLE NEOPRENE SNUBBING ELEMENTS.
- MINIMUM COIL OVERLOAD OF 50%.
- MINIMUM Kx/Ky RATIO OF 1.0.
- ALL ELEMENTS SAFE AT SOLID LOADING.
- POWDER COATED COILS AND HOT DIPPED GALVANIZED BRACKET
- HOUSINGS MAY BE USED FOR BLOCKING DURING EQUIPMENT ERECTION

A2, B2, L2, T2, D2 DIMENSIONS REFER TO OPTIONAL BASE-PLATE USED TO INCREASE RATING WHEN ATTACHED TO CONCRETE



\*ALL MOUNTING BOLT PATTERNS SYMMETRICAL ABOUT ISOLATOR CENTER-LINE



WELDED TO STEEL ---  
THROUGH BOLTED - - -  
ANCHORED TO CONCRETE \_\_\_\_\_

HORIZONTAL FORCE LBS X 1000

Computed horiz and vert seismic load combinations must fall within the restraint capacity envelope. Contact KNC for bolted to steel data.

FLS Submittal Drawings

DRAWING #S-01-22.42 – FLS 4-2250/5800

RELEASE DATE: 02/01/05



Toll Free (USA only): 800-959-1229  
International: 614-889-0480  
Fax: 614-889-0540  
World Wide Web: www.kineticsnoise.com  
Email: sales@kineticsnoise.com

DOCUMENT:  
P3.2.2-9  
VISCMA MEMBER

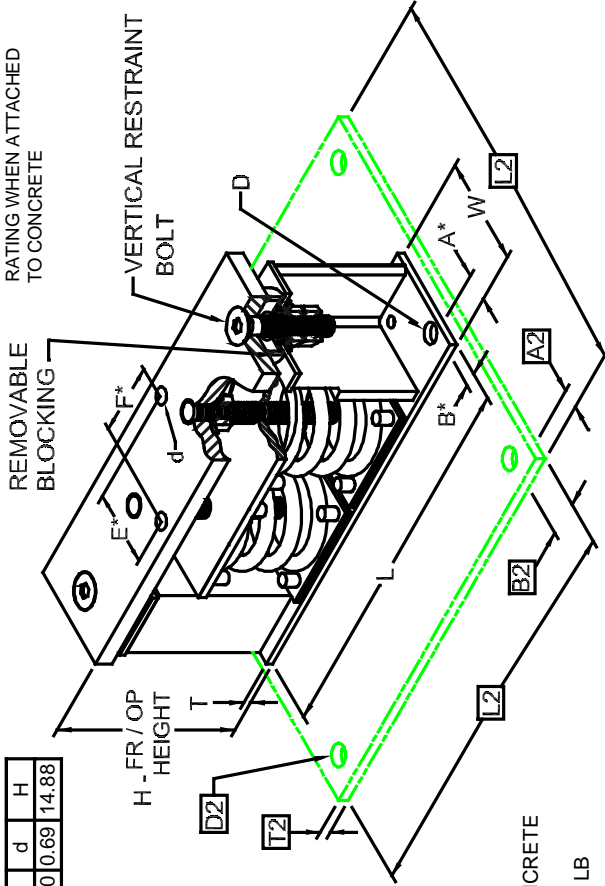
**FLS 4" DEFLECTION ISOLATOR**  
IP UNITS (INCHES AND POUNDS)

TYPE	L	W	T	A	B	D	E	F	d	H
4-5500/11600	25.50	8.00	0.38	1.13	1.75	0.81	5.50	5.50	0.69	14.88

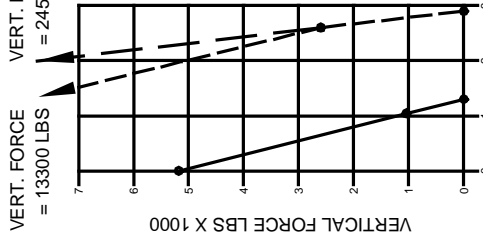
STANDARD RATINGS	TYPE	SIZE	COLOR		FREE		RATED	
			OUTER	INNER	HT.	O.D.	LOAD	DEFL.
FLS	4-5500	BEIGE	GREEN	11.50	8.00	5500	4.00	
FLS	4-6000	BEIGE	BLACK	11.50	8.00	6000	4.00	
FLS	4-6500	BEIGE	RED	11.50	8.00	6500	4.00	
FLS	4-7000	BEIGE	BROWN	11.50	8.00	7000	4.00	
FLS	4-7700	BEIGE	ORANGE	11.50	8.00	7700	4.00	
FLS	4-8400	CHROME		11.50	8.00	8400	4.00	
FLS	4-8900	CHROME	BLUE	11.50	8.00	8900	4.00	
FLS	4-9400	CHROME	GREEN	11.50	8.00	9400	4.00	
FLS	4-9900	CHROME	BLACK	11.50	8.00	9900	4.00	
FLS	4-10400	CHROME	RED	11.50	8.00	10400	4.00	
FLS	4-10900	CHROME	BROWN	11.50	8.00	10900	4.00	
FLS	4-11600	CHROME	ORANGE	11.50	8.00	11600	4.00	

4-5500/11600 REQUIRES 0.62 DIA. x 4.00 MIN. EMBED ANCHORS IN CONCRETE (ALLOWABLE LOADS BASED ON 3000 PSI MIN CONCRETE)  
4-5500/11600 ANCHOR BOLT TORQUE - 75 FT-LB; PULL TEST - 2670 LB

A2, B2, L2, T2, D2 DIMENSIONS REFER TO OPTIONAL BASE-PLATE USED TO INCREASE RATING WHEN ATTACHED TO CONCRETE



VERT. FORCE = 13300 LBS  
VERT. FORCE = 24500 LBS  
\*ALL MOUNTING BOLT PATTERNS SYMMETRICAL ABOUT ISOLATOR CENTER-LINE



WELDED TO STEEL ---  
THROUGH BOLTED ---  
ANCHORED TO CONCRETE ---

HORIZONTAL FORCE LBS X 1000

Computed horiz and vert seismic load combinations must fall within the restraint capacity envelope. Contact KNC for bolted to steel data.



**SPECIFICATIONS:**

- VERTICALLY AND Laterally RESTRAINED SPRING ISOLATOR WITH CONSTANT FREE AND OPERATING HEIGHT AND REPLACEABLE NEOPRENE SNUBBING ELEMENTS.
- MINIMUM COIL OVERLOAD OF 50%.
- MINIMUM Kx/Ky RATIO OF 1.0.
- ALL ELEMENTS SAFE AT SOLID LOADING.
- POWDER COATED COILS AND HOT DIPPED GALVANIZED BRACKET
- HOUSINGS MAY BE USED FOR BLOCKING DURING EQUIPMENT ERECTION

**FLS Submittal Drawings**

DRAWING #S-01-22.43 – FLS 4-5500/11600

RELEASE DATE: 02/01/05



Toll Free (USA only): 800-959-1229  
International: 614-889-0480  
Fax: 614-889-0540  
World Wide Web: www.kineticsnoise.com  
Email: sales@kineticsnoise.com

DOCUMENT:  
**P3.2.2-10**  
VISCMA MEMBER

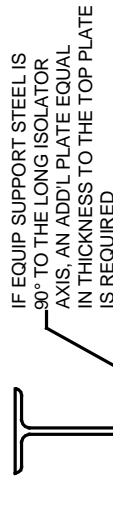
DUBLIN, OHIO, USA • MISSISSAUGA, ONTARIO, CANADA

FLS 4" DEFLECTION ISOLATOR  
IP UNITS (INCHES AND POUNDS)

TYPE	L	W	T	A	B	D	E	F	d	H
4-11000/23200	27.00	17.00	0.75	1.00	1.00	0.81	9.00	9.00	0.69	15.00

STANDARD RATINGS	TYPE	SIZE	COLOR		FREE SPRING COIL		RATED	
			OUTER	INNER	HT.	O.D.	LOAD	DEFL.
FLS	4-11000	GREEN	BEIGE	GREEN	11.50	8.00	11000	4.00
FLS	4-12000	BLACK	BEIGE	BLACK	11.50	8.00	12000	4.00
FLS	4-13000	RED	BEIGE	RED	11.50	8.00	13000	4.00
FLS	4-14000	BROWN	BEIGE	BROWN	11.50	8.00	14000	4.00
FLS	4-15400	ORANGE	BEIGE	ORANGE	11.50	8.00	15400	4.00
FLS	4-16800	CHROME	CHROME	CHROME	11.50	8.00	16800	4.00
FLS	4-17800	CHROME	BLUE	BLUE	11.50	8.00	17800	4.00
FLS	4-18800	CHROME	GREEN	GREEN	11.50	8.00	18800	4.00
FLS	4-19800	CHROME	BLACK	BLACK	11.50	8.00	19800	4.00
FLS	4-20800	CHROME	RED	RED	11.50	8.00	20800	4.00
FLS	4-21800	CHROME	BROWN	BROWN	11.50	8.00	21800	4.00
FLS	4-23200	CHROME	ORANGE	ORANGE	11.50	8.00	23200	4.00

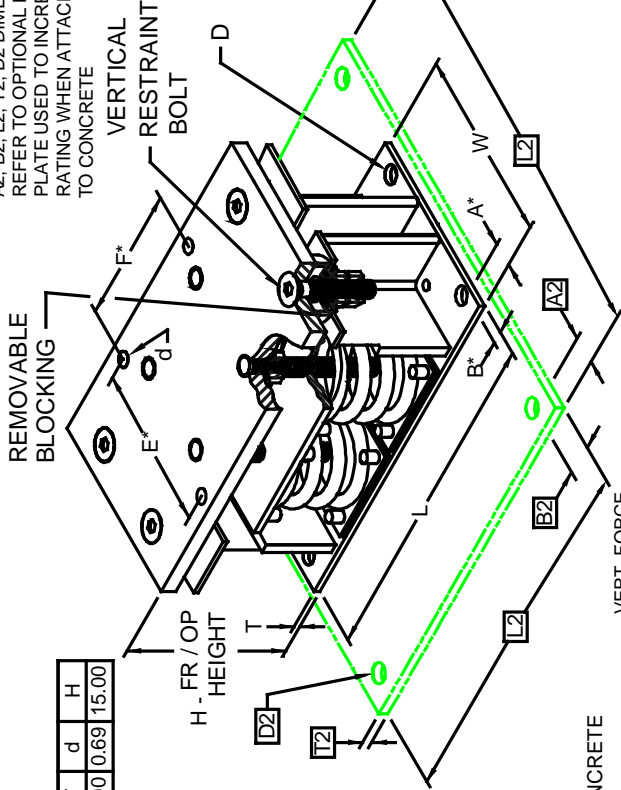
4-11000/23200 REQUIRES 0.75 DIA. x 4.75 MIN. EMBED ANCHORS IN CONCRETE (ALLOWABLE LOADS BASED ON 3000 PSI MIN CONCRETE)  
4-11000/23200 ANCHOR BOLT TORQUE - 150 FT-LB, PULL TEST - 3625 LB



**SPECIFICATIONS:**

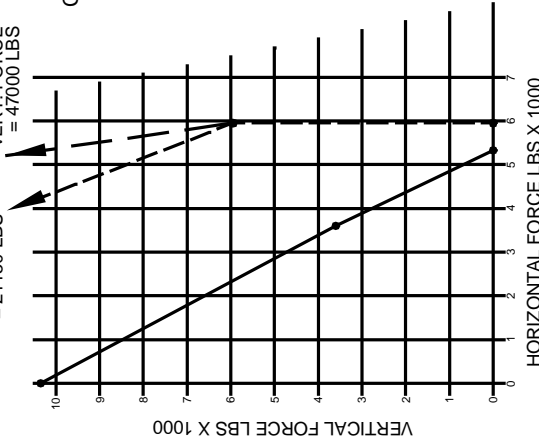
- VERTICALLY AND Laterally RESTRAINED SPRING ISOLATOR WITH CONSTANT FREE AND OPERATING HEIGHT AND REPLACEABLE NEOPRENE SNUBBING ELEMENTS.
- MINIMUM COIL OVERLOAD OF 50%.
- MINIMUM Kx/Ky RATIO OF 1.0.
- ALL ELEMENTS SAFE AT SOLID LOADING.
- POWDER COATED COILS AND HOT DIPPED GALVANIZED BRACKET
- HOUSINGS MAY BE USED FOR BLOCKING DURING EQUIPMENT ERECTION

A2, B2, L2, T2, D2 DIMENSIONS REFER TO OPTIONAL BASE-PLATE USED TO INCREASE RATING WHEN ATTACHED TO CONCRETE



VERT. FORCE = 21150 LBS

VERT. FORCE = 47000 LBS



Computed horiz and vert seismic load combinations must fall within the restraint capacity envelope. Contact KNC for bolted to steel data.

- WELDED TO STEEL
- - - THROUGH BOLTED
- \_\_\_\_\_ ANCHORED TO CONCRETE

\*ALL MOUNTING BOLT PATTERNS SYMMETRICAL ABOUT ISOLATOR CENTER-LINE

**FLS Submittal Drawings**

DRAWING #S-01-22.44 – FLS 4-11000/23200

RELEASE DATE: 02/01/05



Toll Free (USA only): 800-959-1229  
International: 614-889-0480  
Fax: 614-889-0540  
World Wide Web: www.kineticsnoise.com  
Email: sales@kineticsnoise.com

DOCUMENT:  
**P3.2.2-11**  
VISCMA MEMBER