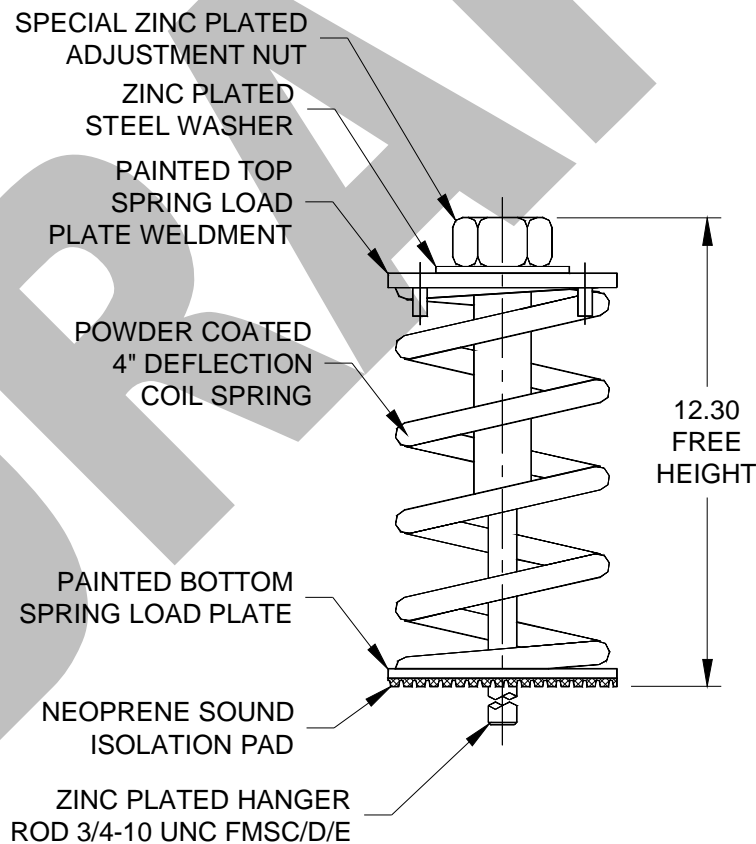


4" Deflection – Single Coil Set – 100 lbs to 1,600 lbs

Isolator Model	Used With FMS Models	Rated Load (lbs)	Deflection @ Rated Load (in)	Spring Rate (lbs/in)	Spring Color
4-100	C/D/E	100	4.00	25.0	Gray
4-250	C/D/E	250	4.00	62.5	Blue
4-500	C/D/E	500	4.00	125.0	Green
4-750	C/D/E	750	4.00	187.5	Black
4-1000	C/D/E	1,000	4.00	250.0	Red
4-1250	C/D/E	1,250	4.00	312.5	Brown
4-1600	C/D/E	1,600	4.00	400.0	Orange



4" DEFL. – 100 to 1,600 SINGLE COIL ISOLATION SUBMITTAL DATA

PAGE 1 OF 8

RELEASE DATE: 5/13/04



DUBLIN, OHIO, USA • MISSISSAUGA, ONTARIO, CANADA

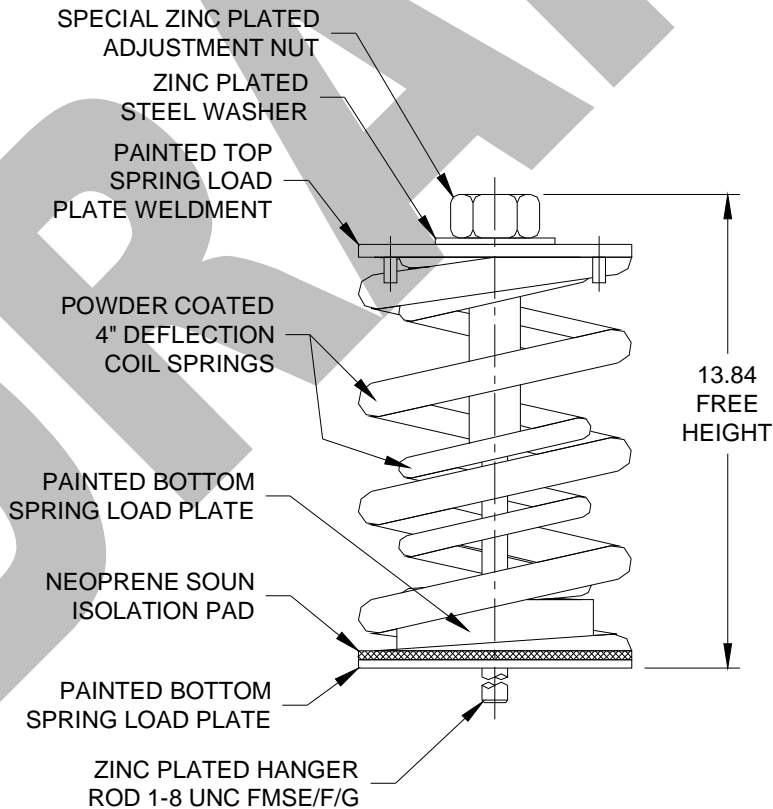
Toll Free (USA only): 800-959-1229
 International: 614-889-0480
 Fax: 614-889-0540
 World Wide Web: www.kineticsnoise.com
 Email: sales@kineticsnoise.com

DOCUMENT:
P2.3.4



4" Deflection – Single Coil Set – 2,250 lbs to 5,800 lbs

Isolator Model	Used With FMS Models	Rated Load (lbs)	Deflection @ Rated Load (in)	Spring Rate (lbs/in)	Spring Color Outer/Inner
4-2250	E/F/G	2,250	4.00	562.5	Beige/-----
4-2750	E/F/G	2,750	4.00	687.5	Beige/Green
4-3250	E/F/G	3,250	4.00	812.5	Beige/Red
4-3900	E/F/G	3,850	4.00	962.5	Beige/Orange
4-4200	E/F/G	4,200	4.00	1,050.0	Chrome/-----
4-4700	E/F/G	4,700	4.00	1,175.0	Chrome/Green
4-5200	E/F/G	5,200	4.00	1,300.0	Chrome/Red
4-5800	E/F/G	5,800	4.00	1,450.0	Chrome/Orange



4" DEFL. – 2,250 to 5,800 SINGLE COIL ISOLATION SUBMITTAL DATA

PAGE 2 OF 8

RELEASE DATE: 5/13/04



DUBLIN, OHIO, USA • MISSISSAUGA, ONTARIO, CANADA

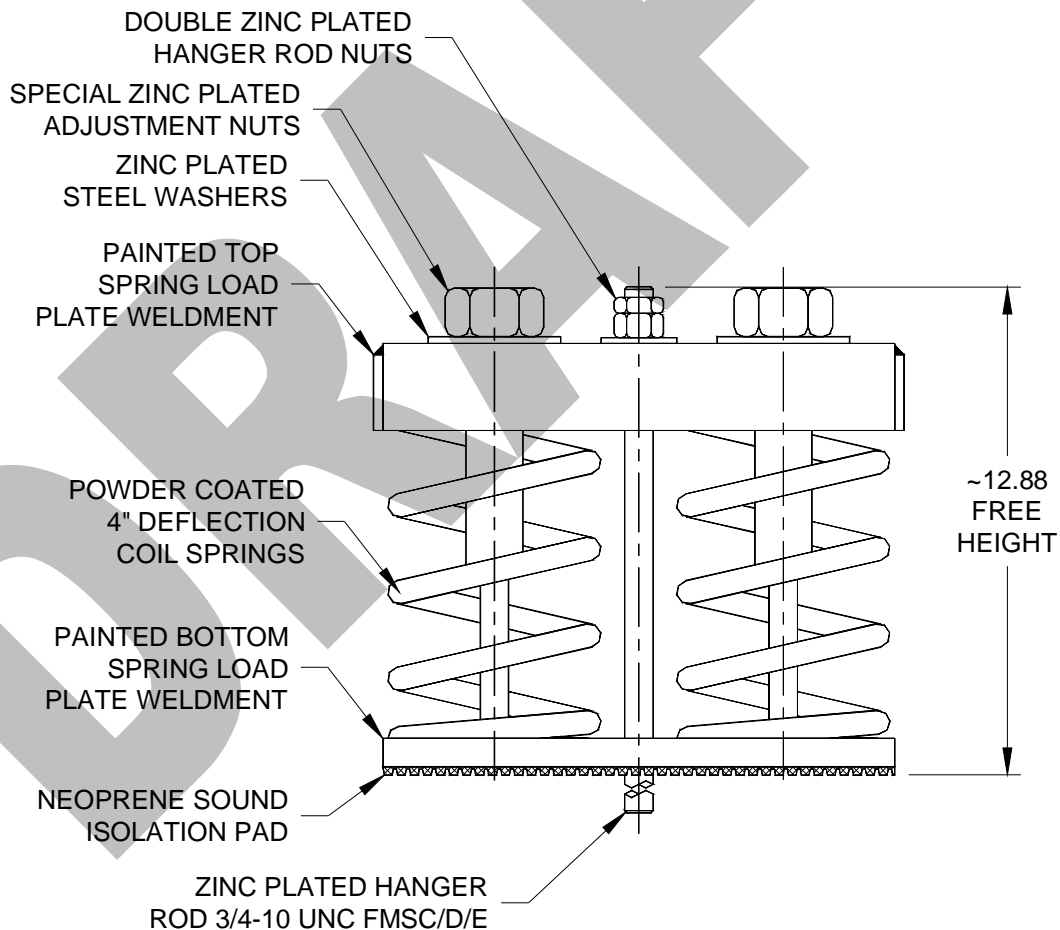
Toll Free (USA only): 800-959-1229
 International: 614-889-0480
 Fax: 614-889-0540
 World Wide Web: www.kineticsnoise.com
 Email: sales@kineticsnoise.com

DOCUMENT:
P2.3.4



4" Deflection – Double Coil Set – 1,500 lbs to 3,200 lbs

Isolator Model	Used With FMS Models	Rated Load (lbs)	Deflection @ Rated Load (in)	Spring Rate (lbs/in)	Spring Color
4-1500	C/D/E	1,500	4.00	375.0	Black
4-2000	C/D/E	2,000	4.00	500.0	Red
4-2500	C/D/E	2,500	4.00	625.0	Brown
4-3200	C/D/E	3,200	4.00	800.0	Orange



4" DEFL. – 1,500 to 3,200 DOUBLE COIL ISOLATION SUBMITTAL DATA

PAGE 3 OF 8

RELEASE DATE: 5/13/04

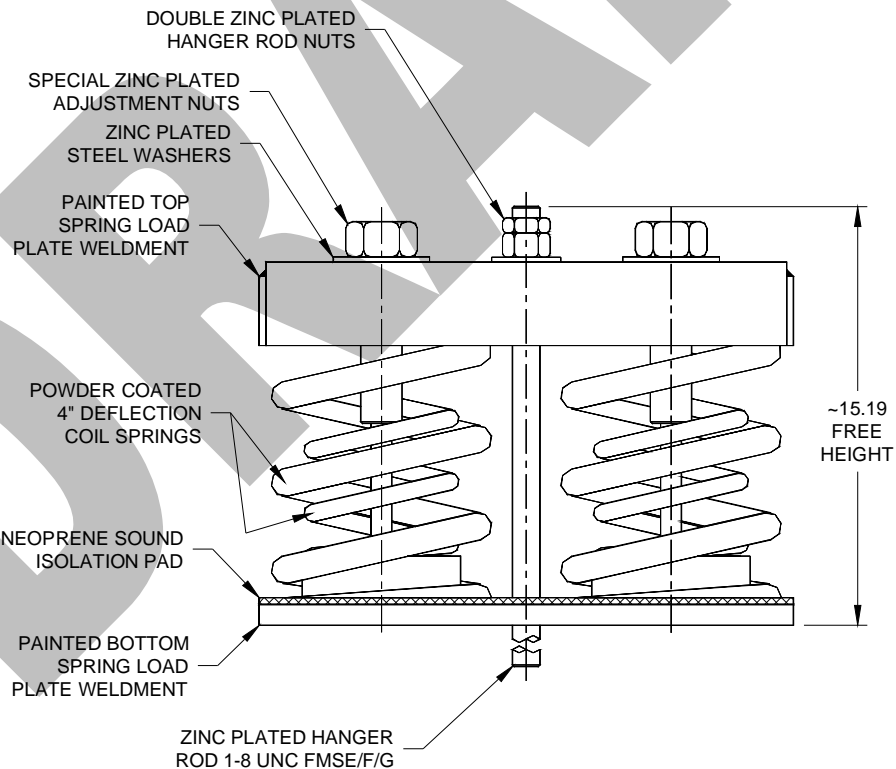


Toll Free (USA only): 800-959-1229
 International: 614-889-0480
 Fax: 614-889-0540
 World Wide Web: www.kineticsnoise.com
 Email: sales@kineticsnoise.com

DOCUMENT:
P2.3.4
 VISCMA
 MEMBER

4" Deflection – Double Coil Set – 5,500 lbs to 11,600 lbs

Isolator Model	Used With FMS Models	Rated Load (lbs)	Deflection @ Rated Load (in)	Spring Rate (lbs/in)	Spring Color Outer/Inner
4-5500	E/F/G	5,500	4.00	1,375.0	Beige/Green
4-6500	E/F/G	6,500	4.00	1,625.0	Beige/Red
4-7700	E/F/G	7,700	4.00	1,925.0	Beige/Orange
4-8400	E/F/G	8,400	4.00	2,100.0	Chrome/-----
4-9400	E/F/G	9,400	4.00	2,350.0	Chrome/Green
4-10400	E/F/G	10,400	4.00	2,600.0	Chrome/Red
4-11600	E/F/G	11,600	4.00	2,900.0	Chrome/Orange



4" DEFL. – 5,500 to 11,600 DOUBLE COIL ISOLATION SUBMITTAL DATA

PAGE 4 OF 8

RELEASE DATE: 5/13/04



DUBLIN, OHIO, USA • MISSISSAUGA, ONTARIO, CANADA

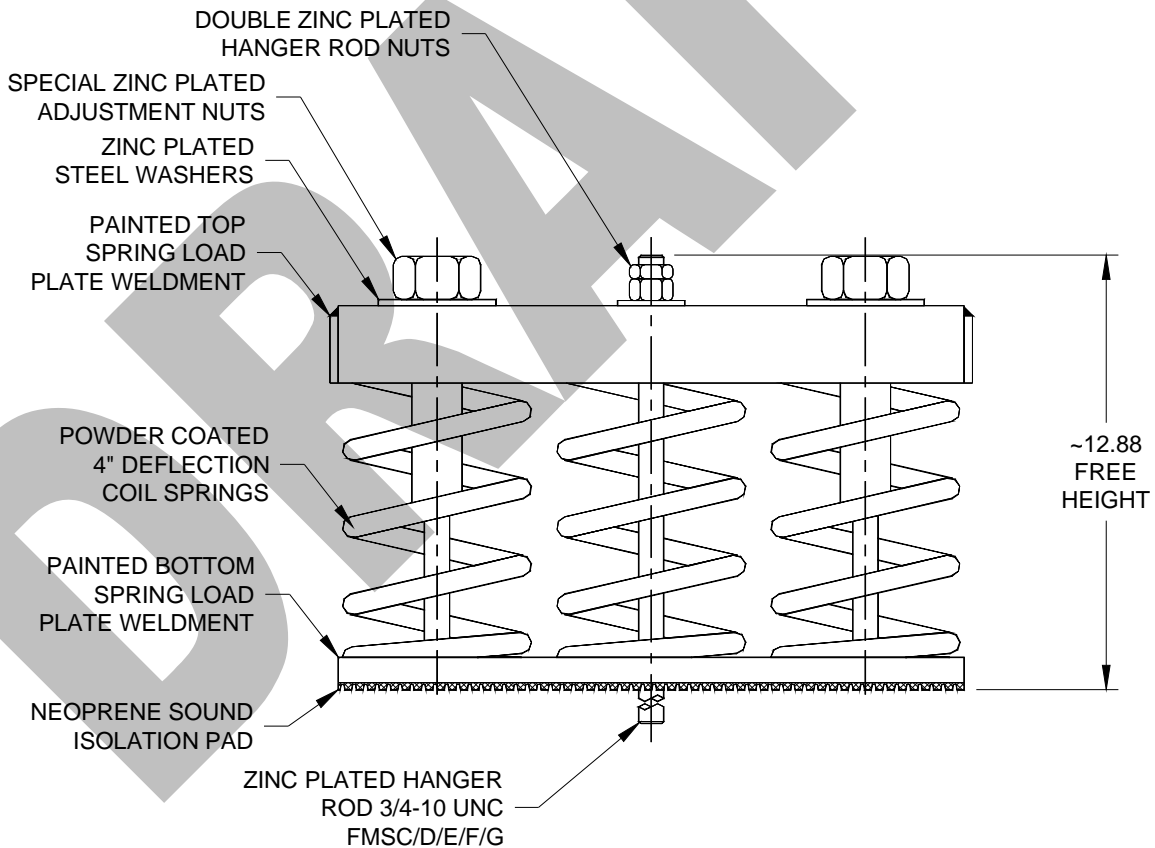
Toll Free (USA only): 800-959-1229
 International: 614-889-0480
 Fax: 614-889-0540
 World Wide Web: www.kineticsnoise.com
 Email: sales@kineticsnoise.com

DOCUMENT:
P2.3.4



4" Deflection – Triple Coil Set – 3,000 lbs to 4,800 lbs

Isolator Model	Used With FMS Models	Rated Load (lbs)	Deflection @ Rated Load (in)	Spring Rate (lbs/in)	Spring Color
4-3000	C/D/E/F/G	3,000	4.00	750.0	Red
4-3750	C/D/E/F/G	3,750	4.00	937.5	Brown
4-4800	C/D/E/F/G	4,800	4.00	1,200.0	Orange



4" DEFL. – 3,000 to 4,800 TRIPLE COIL ISOLATION SUBMITTAL DATA

PAGE 5 OF 8

RELEASE DATE: 5/13/04

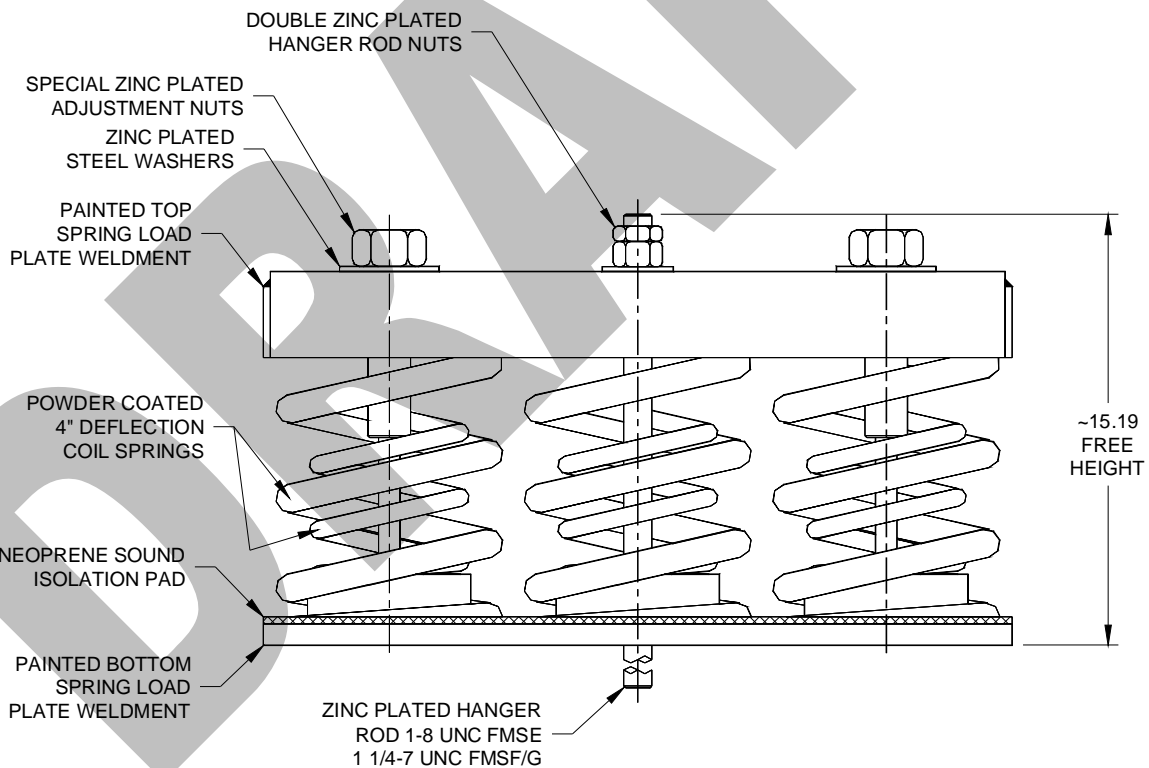


Toll Free (USA only): 800-959-1229
 International: 614-889-0480
 Fax: 614-889-0540
 World Wide Web: www.kineticsnoise.com
 Email: sales@kineticsnoise.com

DOCUMENT:
P2.3.4
 VISCMA
 MEMBER

4" Deflection – Triple Coil Set – 11,700 lbs to 17,400 lbs

Isolator Model	Used With FMS Models	Rated Load (lbs)	Deflection @ Rated Load (in)	Spring Rate (lbs/in)	Spring Color Outer/Inner
4-11700	E/F/G	11,550	4.00	2,887.5	Beige/Orange
4-14100	E/F/G	14,100	4.00	3,525.0	Chrome/Green
4-17400	E/F/G	17,400	4.00	5,350.0	Chrome/Orange



4" DEFL. – 11,700 to 17,400 TRIPLE COIL ISOLATION SUBMITTAL DATA

PAGE 6 OF 8

RELEASE DATE: 5/13/04



DUBLIN, OHIO, USA • MISSISSAUGA, ONTARIO, CANADA

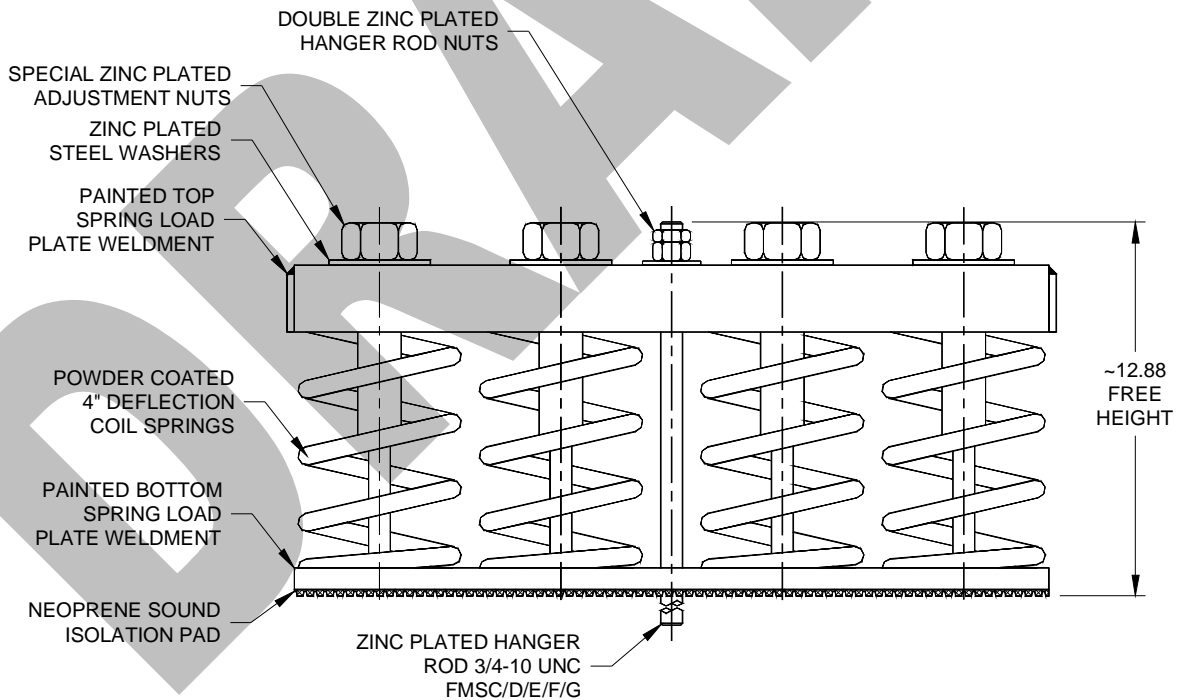
Toll Free (USA only): 800-959-1229
 International: 614-889-0480
 Fax: 614-889-0540
 World Wide Web: www.kineticsnoise.com
 Email: sales@kineticsnoise.com

DOCUMENT:
P2.3.4



4" Deflection – Quad Coil Set – 5,000 lbs to 6,400 lbs

Isolator Model	Used With FMS Models	Rated Load (lbs)	Deflection @ Rated Load (in)	Spring Rate (lbs/in)	Spring Color
4-5000	C/D/E/F/G	5,000	4.00	1,250.0	Brown
4-6400	--/D/E/F/G	6,400	4.00	1,600.0	Orange



4" DEFL. – 5,000 to 6,400 QUAD COIL ISOLATION SUBMITTAL DATA

PAGE 7 OF 8

RELEASE DATE: 5/13/04

KINETICS
Noise Control

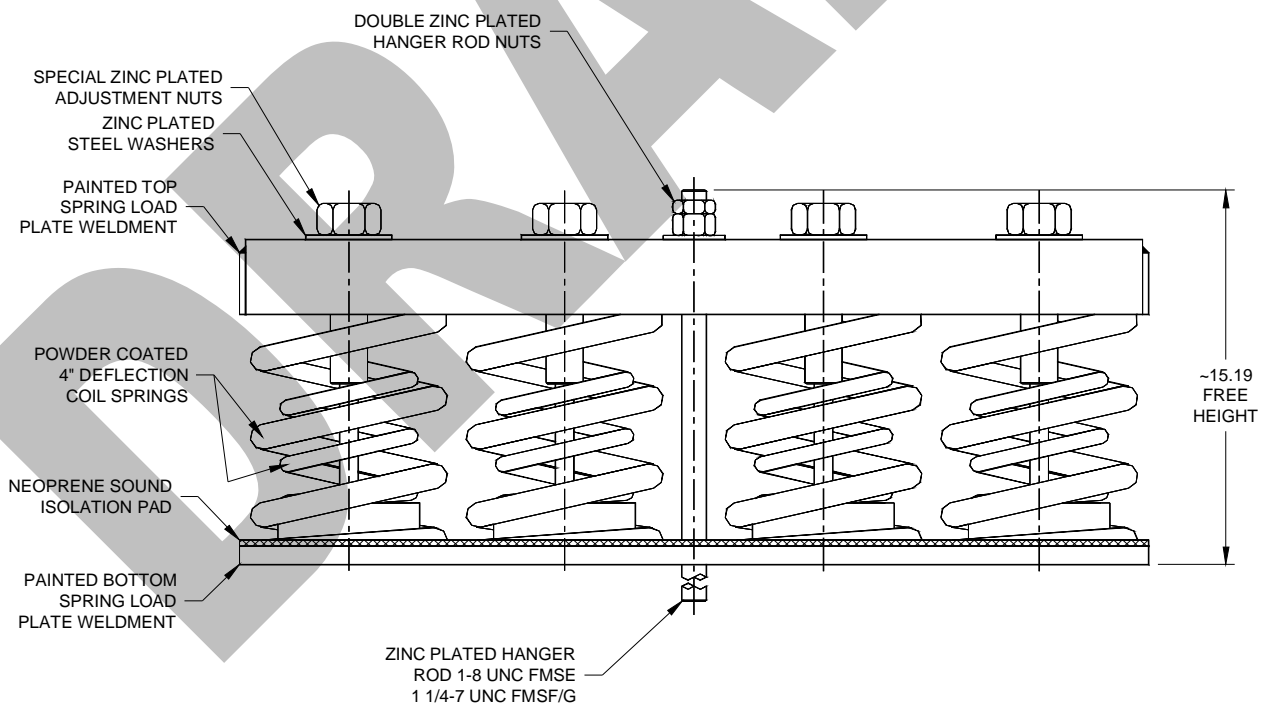
DUBLIN, OHIO, USA • MISSISSAUGA, ONTARIO, CANADA

Toll Free (USA only): 800-959-1229
 International: 614-889-0480
 Fax: 614-889-0540
 World Wide Web: www.kineticsnoise.com
 Email: sales@kineticsnoise.com

DOCUMENT:
P2.3.4

4" Deflection – Quad Coil Set – 17,800 lbs to 23,200 lbs

Isolator Model	Used With FMS Models	Rated Load (lbs)	Deflection @ Rated Load (in)	Spring Rate (lbs/in)	Spring Color Outer/Inner
4-17800	E/F/G	17,800	4.00	4,450.0	Chrome/Blue
4-20800	E/F/G	20,800	4.00	5,200.0	Chrome/Red
4-23200	--/F/G	23,200	4.00	5,800.0	Chrome/Orange



4" DEFL. – 17,800 to 23,200 QUAD COIL ISOLATION SUBMITTAL DATA



Toll Free (USA only): 800-959-1229
 International: 614-889-0480
 Fax: 614-889-0540
 World Wide Web: www.kineticsnoise.com
 Email: sales@kineticsnoise.com

DOCUMENT:
P2.3.4
 VISCMA MEMBER