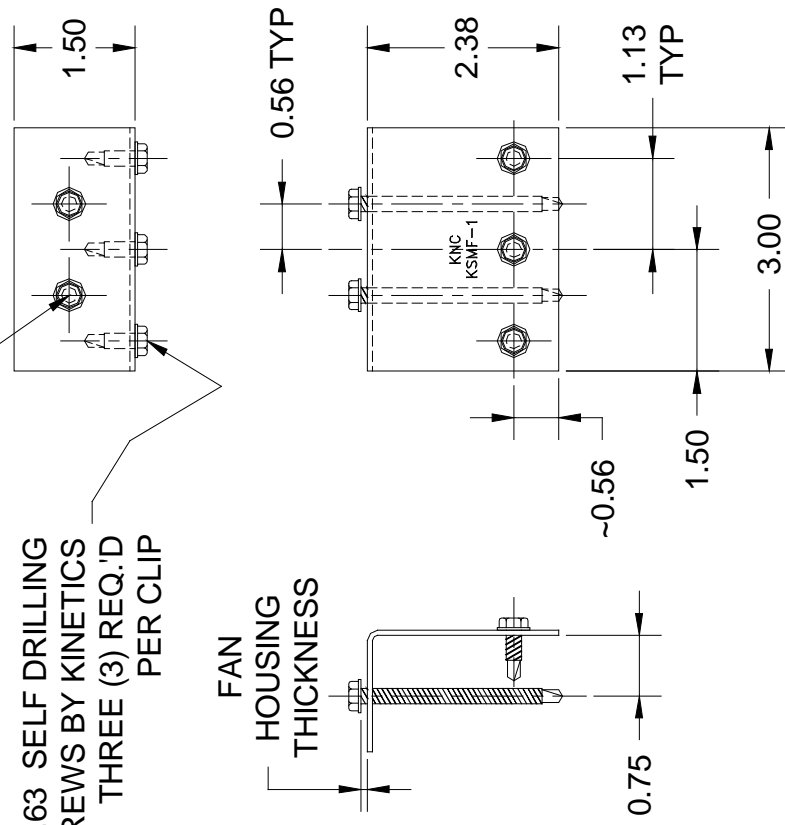
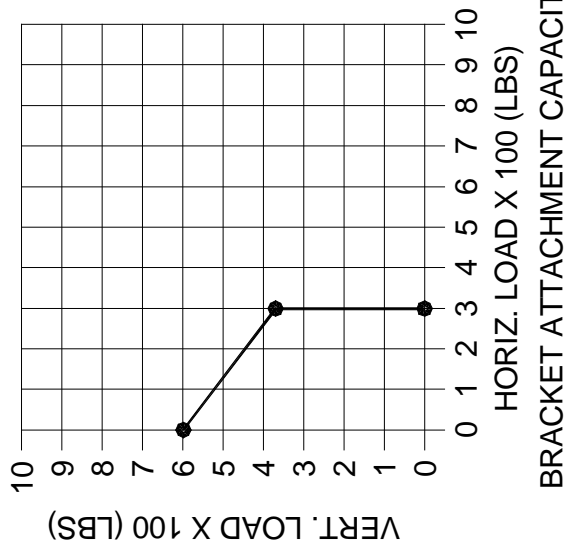


#10-16 X 1.5 SELF DRILLING SHEET METAL SCREWS BY KINETICS TWO (2) REQ.'D PER CLIP

#10-16 X 0.63 SELF DRILLING SHEET METAL SCREWS BY KINETICS THREE (3) REQ.'D PER CLIP



NOTE: 1.) LOCATING DIMENSIONS ARE APPROX. PILOT HOLES MAY BE PRE-DRILLED USING A No. 22 DRILL.
 2.) FASTENERS TO BE LOCATED WITH BRACKET ON CURB.

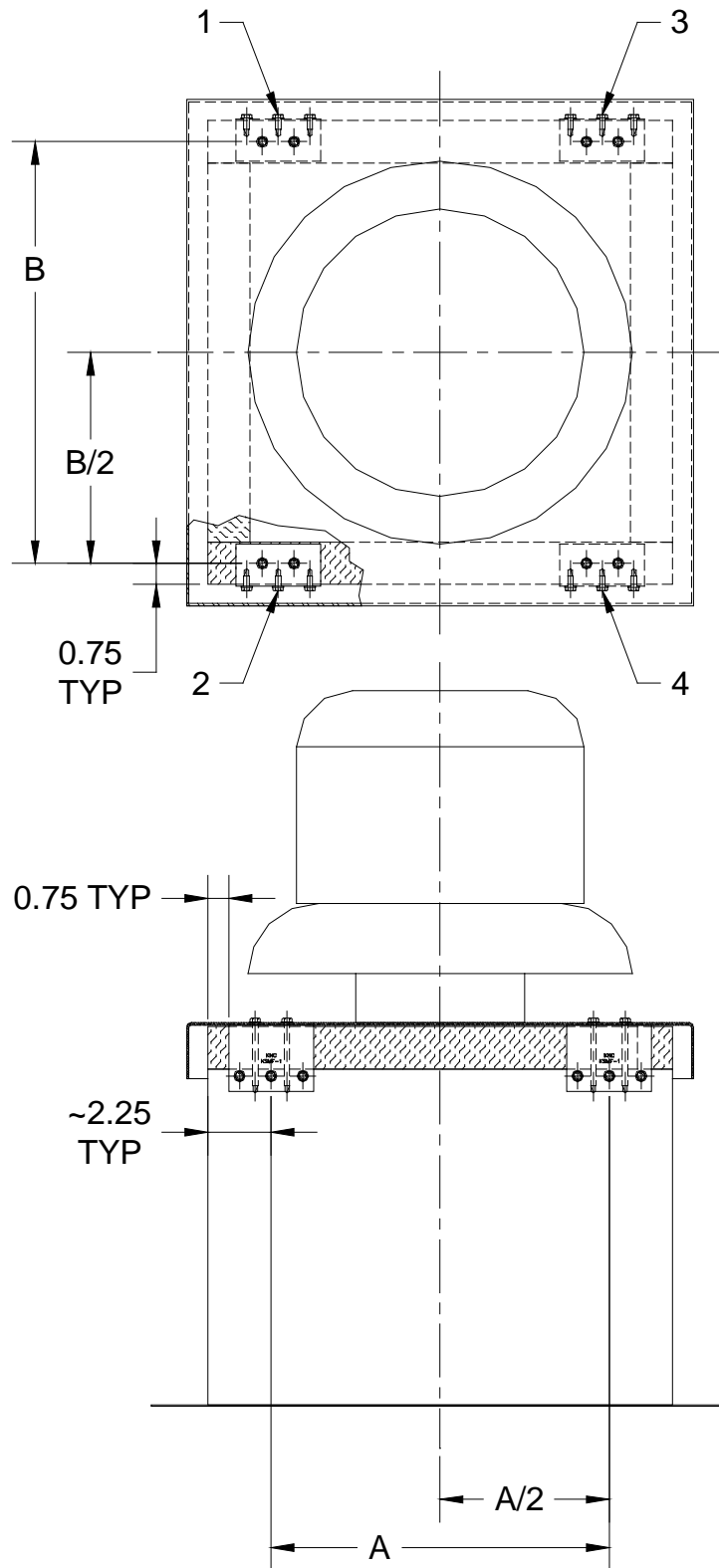
KSMF MOUNTING KIT (MUSHROOM FANS, LOUVERS, AND ETC.)

KINETICS
Noise Control

DUBLIN, OHIO, USA • MISSISSAUGA, ONTARIO, CANADA

Toll Free (USA only): 800-959-1229
 International: 614-889-0480
 Fax: 614-889-0540
 World Wide Web: www.kineticsnoise.com
 Email: sales@kineticsnoise.com

DOCUMENT:
P1.3.1



KSMF MOUNTING KIT (MUSHROOM FANS, LOUVERS, AND ETC.)

PAGE 2 OF 4 – DRAWING: S-88.071-17B

RELEASE DATE: 5/13/04

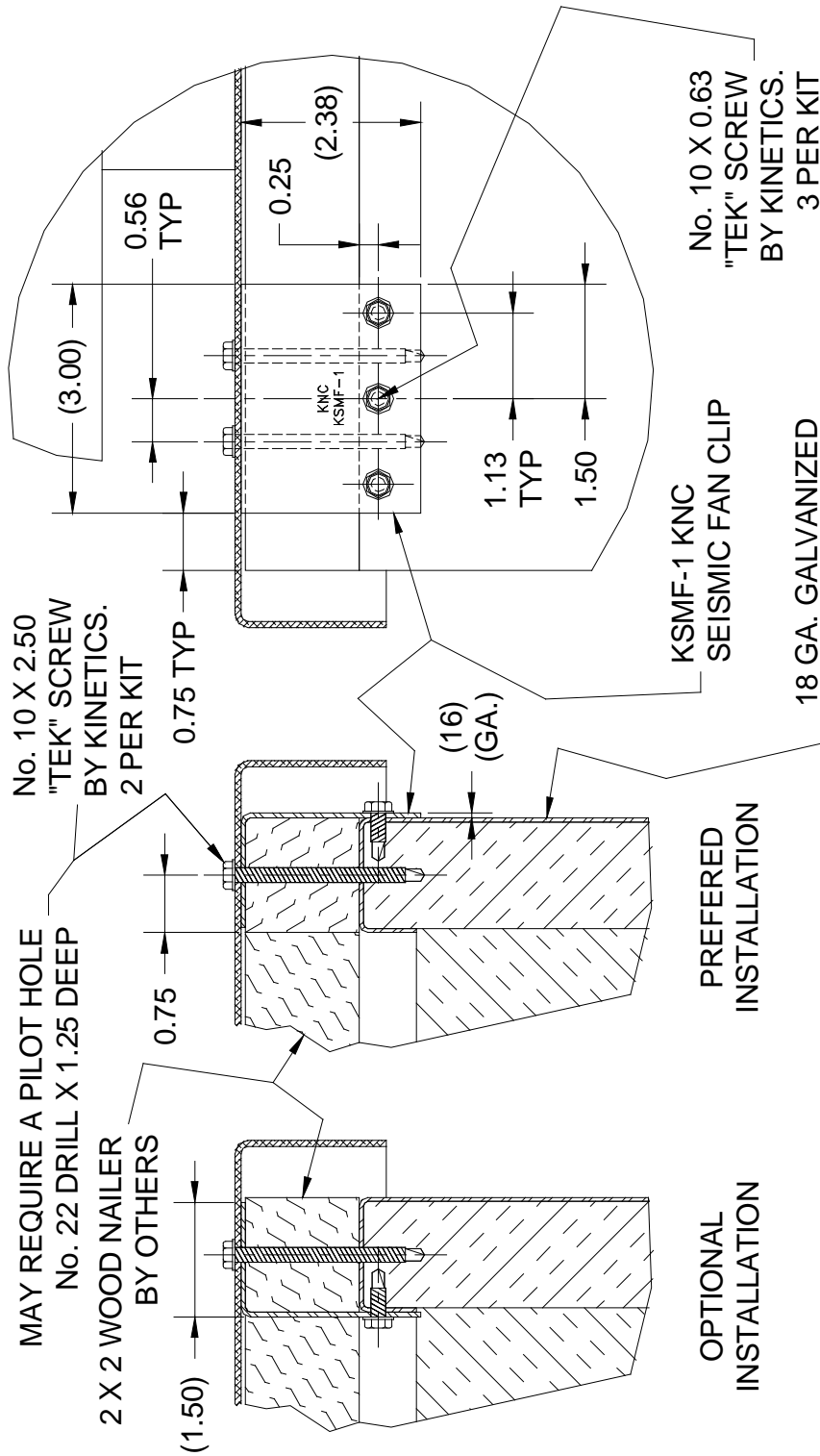
KINETICS
Noise Control

DUBLIN, OHIO, USA • MISSISSAUGA, ONTARIO, CANADA

Toll Free (USA only): 800-959-1229
 International: 614-889-0480
 Fax: 614-889-0540
 World Wide Web: www.kineticsnoise.com
 Email: sales@kineticsnoise.com

DOCUMENT:
P1.3.1

VISCMA
MEMBER



MAY REQUIRE A PILOT HOLE
No. 22 DRILL X 1.25 DEEP
BY OTHERS

2 X 2 WOOD NAILER
(1.50)
0.75 TYP

No. 10 X 2.50
"TEK" SCREW
BY KINETICS.
2 PER KIT

No. 10 X 0.63
"TEK" SCREW
BY KINETICS.
3 PER KIT

KSMF-1 KNC
SEISMIC FAN CLIP

18 GA. GALVANIZED
STEEL CURB WITH
FULLY WELDED CORNERS
BY OTHERS.

PREFERRED
INSTALLATION

OPTIONAL
INSTALLATION

NOTE: 1.) LOCATING DIMENSIONS ARE APPROX.
PILOT HOLES MAY BE PRE-DRILLED
USING A No. 22 DRILL.
2.) FASTENERS TO BE LOCATED WITH
BRACKET ON CURB.

KSMF MOUNTING KIT (MUSHROOM FANS, LOUVERS, AND ETC.)



Toll Free (USA only): 800-959-1229
International: 614-889-0480
Fax: 614-889-0540
World Wide Web: www.kineticsnoise.com
Email: sales@kineticsnoise.com

DOCUMENT:
P1.3.1
VISCMA
MEMBER

KSMF-1 "MUSHROOM" FAN BRACKET INSTRUCTIONS:

1.) SHOWN AT THE RIGHT IS A COPY OF THE FIGURE THAT APPEARS IN THE TOP LEFT HAND QUADRANT OF THE "KINETICS SEISMIC CERTIFICATION" FOR THE PIECE OF EQUIPMENT TO BE MOUNTED. THE POINTS 1, 2, 3, AND 4 INDICATE THE CORNER ATTACHMENT BRACKETS. THEY ARE LOCATED OFF OF THE GEOMETRIC CENTER LINES FOR THE EQUIPMENT.

2.) TYPICALLY (A) IS THE LOCATING DIMENSION ALONG THE LENGTH OF THE EQUIPMENT, AND (B) IS THE LOCATING DIMENSION ACROSS THE WIDTH OF THE EQUIPMENT. THESE DIMENSIONS, AS APPLIED, TO "MUSHROOM" FANS ARE DEFINED IN S-88.071-17B.

3.) THE C.G. LOCATION FOR THE EQUIPMENT IS LOCATED OFF OF THE GEOMETRIC CENTER OF THE EQUIPMENT BY (Ex) ALONG THE LENGTH OF THE EQUIPMENT, AND (Ey) ACROSS THE WIDTH OF THE EQUIPMENT.

4.) LOCATE THE KSMF-1 BRACKETS ON THE FAN CURB AS SHOWN IN S-88.071-17B, AND INSTALL (3) No. 10 X 0.63 SELF-DRILLING TEK SCREWS PER BRACKET AS SHOWN IN S-88.071-17C. THESE TEK SCREWS ARE TO HOLD THE BRACKET IN PLACE WHILE THE FAN IS BEING SET.

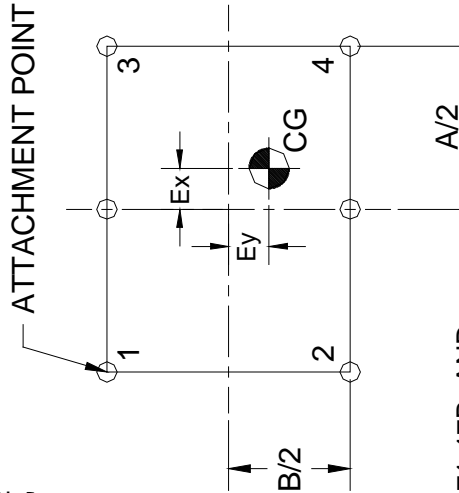
5.) INSTALL WEATHER STRIPPING (BY OTHERS) OVER THE TOP OF THE CURB & KSMF-1 BRACKETS.

6.) CAREFULLY MEASURE THE MOUNTING FLANGE OF THE FAN AND THE TOP OF THE CURB WITH THE KSMF-1 BRACKETS PROPERLY LOCATED. MARK THE BRACKET LOCATIONS AND APPROXIMATE LOCATIONS FOR (2) No. 10 X 2.50 TEK SCREWS ON THE TOP OF THE FAN FLANGE.

7.) SET THE FAN ON THE CURB AND ADJUST ITS POSITION SO THAT THE LOCATIONS MARKED IN STEP 5.) LINE UP WITH THE KSMF-1 BRACKETS ON THE CURB.

8.) INSTALL (2) No. 10 X 2.50 SELF -DRILLING TEK SCREWS PER KSMF-1 BRACKET AS SHOWN IN S-88.071-17B AND S-88.071-C. THE SCREWS MUST PASS THROUGH THE BRACKET, CURB NAILER, AND CURB SHEET METAL TO BE EFFECTIVE.

9.) APPLIED CAULKING (BY OTHERS) TO THE TOPS OF THE No. 10 X 2.50 TEK SCREWS & FAN FLANGE TO SEAL THE CURB.



KSMF MOUNTING KIT (MUSHROOM FANS, LOUVERS, AND ETC.)

PAGE 4 OF 4 – DRAWING: S-88.071-17D

RELEASE DATE: 5/13/04



DUBLIN, OHIO, USA • MISSISSAUGA, ONTARIO, CANADA

Toll Free (USA only): 800-959-1229
International: 614-889-0480
Fax: 614-889-0540
World Wide Web: www.kineticsnoise.com
Email: sales@kineticsnoise.com

DOCUMENT:

P1.3.1



